

NOTES:

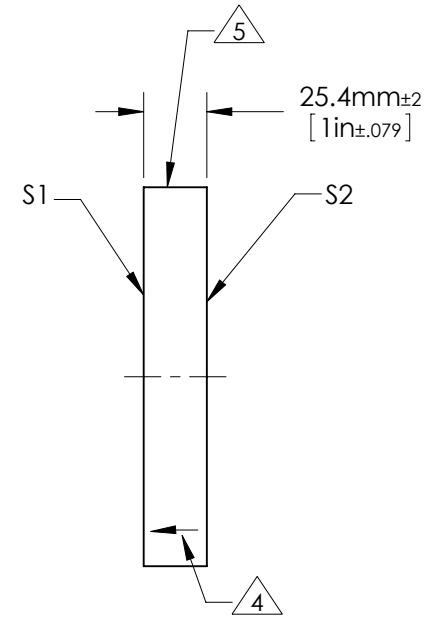
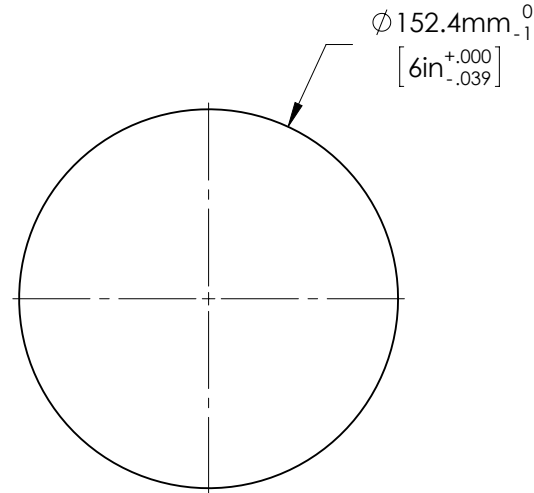
1. ALLOWABLE OPTICAL MATERIAL:
SCHOTT: ZERODUR 542/562
2. SURFACE S2 TO BE PARALLEL WITH SURFACE S1 TO < 3 ARCMIN
3. COATING (APPLY ACROSS COATING APERTURE)

S1: PROTECTED GOLD
 Ravg ≥ 94% 700-800nm @ 0° AOI
 Ravg ≥ 97% 800-2,000nm @ 0° AOI


S2: NONE

4. ARROW ON EDGE POINTING TOWARDS SURFACE S1.

5. FINE GROUND SURFACE



**FOR INFORMATION ONLY:
DO NOT MANUFACTURE PARTS TO THIS DRAWING**

SHAPE	S1 PLANO	S2 PLANO	EFL (AT 587.6nm)	NA	 Edmund Optics[®]	
SURFACE ACCURACY AT 632.8nm	1/10 WAVE	NA	BFL (AT 587.6nm)	NA		
SURFACE QUALITY	60 - 40	COMMERCIAL POLISH	ALL DIMS IN	mm	DWG NO	31393-566
CLEAR APERTURE	$\phi 137.2$	$\phi 137.2$				
BEVEL MAX FACE	1.0 x 45°	1.0 x 45°				