

NOTES:

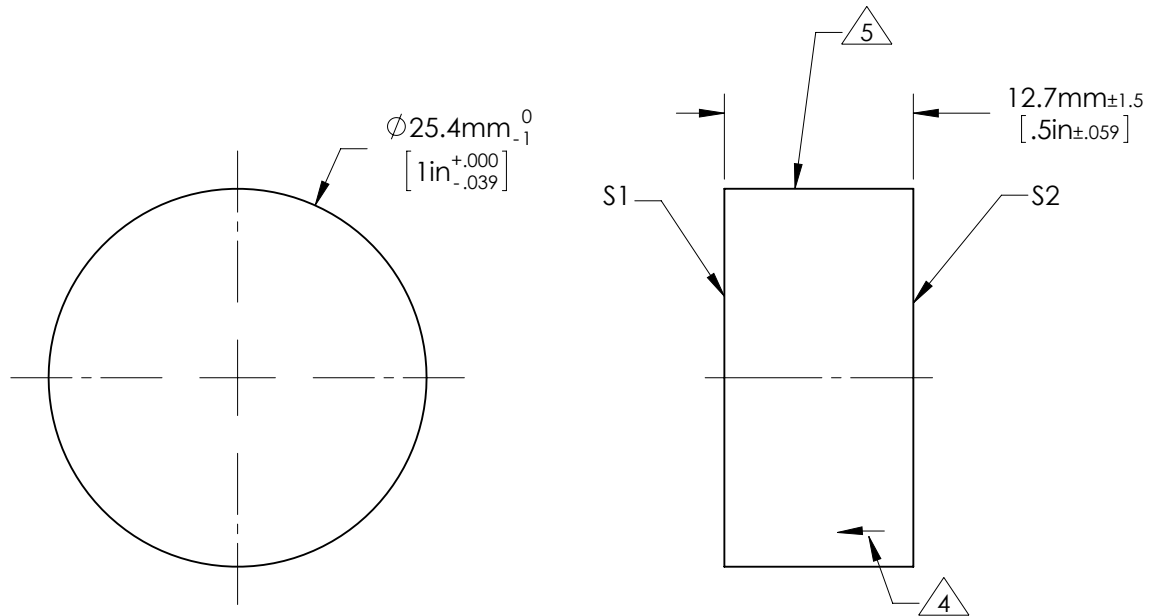
1. ALLOWABLE OPTICAL MATERIAL:
SCHOTT: ZERODUR 542/562
2. SURFACE S2 TO BE PARALLEL WITH SURFACE S1 TO < 3 ARCMIN
3. COATING (APPLY ACROSS COATING APERTURE)

S1: PROTECTED GOLD
 Ravg ≥ 94% 700-800nm @ 0° AOI
 Ravg ≥ 97% 800-2,000nm @ 0° AOI


S2: NONE

4. ARROW ON EDGE POINTING TOWARDS SURFACE S1.

5. FINE GROUND SURFACE



**FOR INFORMATION ONLY:
DO NOT MANUFACTURE PARTS TO THIS DRAWING**

| | | | | | | |
|-----------------------------|-----------|-------------------|---------------------|----|---|---|
| | S1 | S2 | EFL (AT 587.6nm) | NA |  Edmund Optics® | |
| SHAPE | PLANO | PLANO | | | | |
| SURFACE ACCURACY AT 632.8nm | 1/20 WAVE | NA | BFL (AT 587.6nm) | NA | TITLE | 1/20λ Optical Flat, Zerodur, 1inch Diameter PROTECTED GOLD |
| SURFACE QUALITY | 60 - 40 | COMMERCIAL POLISH | | | DWG NO | 43412-566 |
| CLEAR APERTURE | ∅ 22.9 | ∅ 22.9 | ALL DIMS IN | mm | | |
| BEVEL MAX FACE | 1.0 x 45° | 1.0 x 45° | | | | |