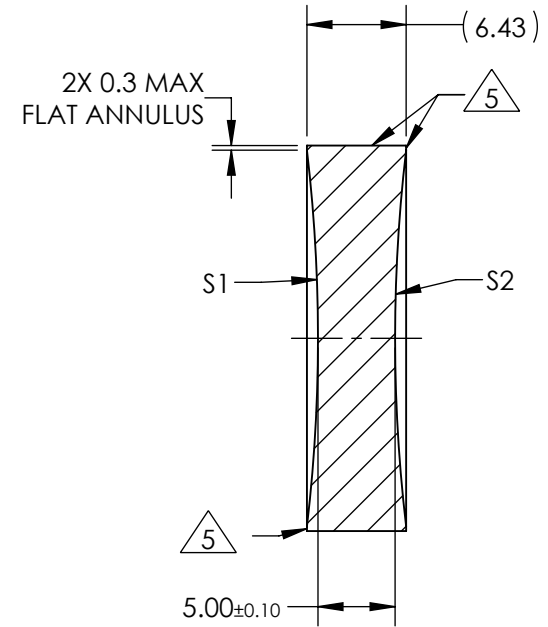
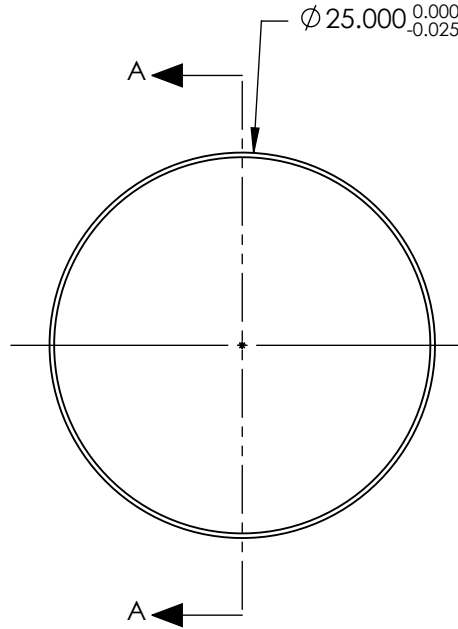


NOTES:

1. SUBSTRATE:  
GRADE A FINE ANNEALED  
SCHOTT: N-BK7 517/642
2. ROHS COMPLIANT
3. CENTERING TOLERANCE (AT 587.6nm):  
BEAM DEVIATION (HALF ANGLE): <1 ARCMIN
4. COATING (APPLY ACROSS COATING APERTURE)  
S1 & S2: VIS-NIR  
R(ABS) ≤ 0.25% AT 880nm @ 0° AOI  
R(AVG) ≤ 1.25% FROM 400-870nm @ 0° AOI  
R(AVG) ≤ 1.25% FROM 890-1000nm @ 0° AOI
5. FINE GRIND SURFACE
6. POWER, IRREGULARITY, AND SURFACE QUALITY SPECIFICATIONS APPLY ACROSS CLEAR APERTURE
7. FOCAL LENGTH (EFL): -100.00mm±1%  
BACK FOCAL LENGTH (BFL): -101.64mm
8. PROTECTIVE BEVEL AS NEEDED
9. DESIGN WAVELENGTH: 587.6nm



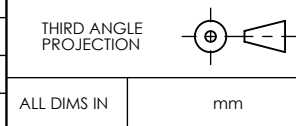
SECTION A-A

**FOR INFORMATION ONLY:  
DO NOT MANUFACTURE  
PARTS TO THIS DRAWING**

|                         | S1                  | S2                  |
|-------------------------|---------------------|---------------------|
| SHAPE                   | CONCAVE             | CONCAVE             |
| RADIUS                  | 104.20              | 104.20              |
| SURFACE QUALITY         | 40 - 20             | 40 - 20             |
| MIN CLEAR APERTURE      | $\varnothing 24.00$ | $\varnothing 24.00$ |
| MIN COATING APERTURE    | $\varnothing 24.00$ | $\varnothing 24.00$ |
| POWER AT 632.8nm        | 3.00 RINGS          | 3.00 RINGS          |
| IRREGULARITY AT 632.8nm | 0.50 RINGS          | 0.50 RINGS          |

SPECIFICATIONS SUBJECT TO CHANGE WITHOUT NOTICE  
DIMENSIONS ARE FOR REFERENCE ONLY

**EO**® Edmund Optics®



|        |  |              |
|--------|--|--------------|
| TITLE  | 25mm Dia. x -100mm FL, VIS-NIR Coated, Double-Concave Lens |              |
| DWG NO | 45932  | SHEET 1 OF 1 |