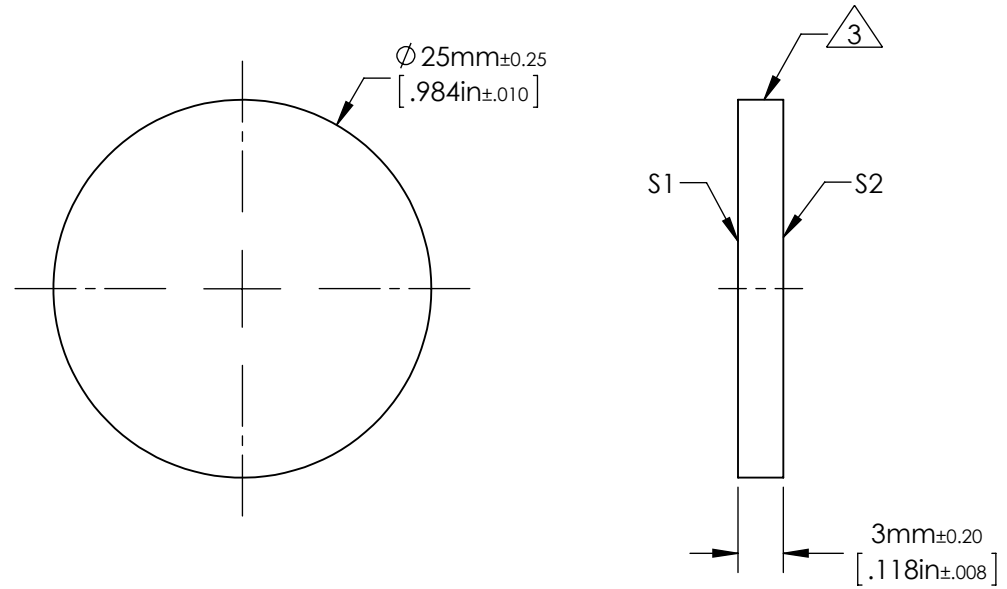


NOTES:

1. ALLOWABLE OPTICAL MATERIAL:
SCHOTT: UV GRADE FUSED SILICA
2. COATING (APPLY ACROSS CLEAR APERTURE)
S1: MULTILAYER DIELECTRIC FOR 0° AOI
T(AVG) > 80% FROM 245-460nm
R(AVG) > 70% FROM 800-1050nm


S2: NONE

 FINE GROUND SURFACE



**FOR INFORMATION ONLY:
DO NOT MANUFACTURE PARTS TO THIS DRAWING**

SPECIFICATIONS SUBJECT TO CHANGE WITHOUT NOTICE
DIMENSIONS ARE FOR REFERENCE ONLY
DIMENSIONS ARE IN mm [INCHES]

SHAPE	S1 PLANO	S2 PLANO	EFL (AT 587.6nm)	NA	 Edmund Optics®
SURFACE ACCURACY AT 632.8nm	3-5 WAVES PER INCH	3-5 WAVES PER INCH	BFL (AT 587.6nm)	NA	
SURFACE QUALITY	80 - 50	80 - 50	ALL DIMS IN	mm	DWG NO 46587
CLEAR APERTURE	≥ Ø 22.50	≥ Ø 22.50			
BEVEL MAX FACE	0.5 x 45°	0.5 x 45°			