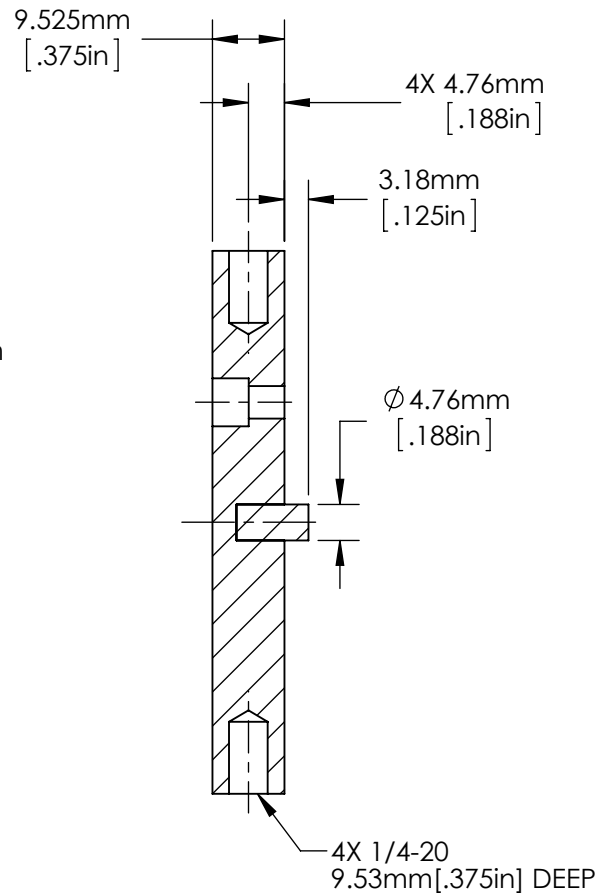
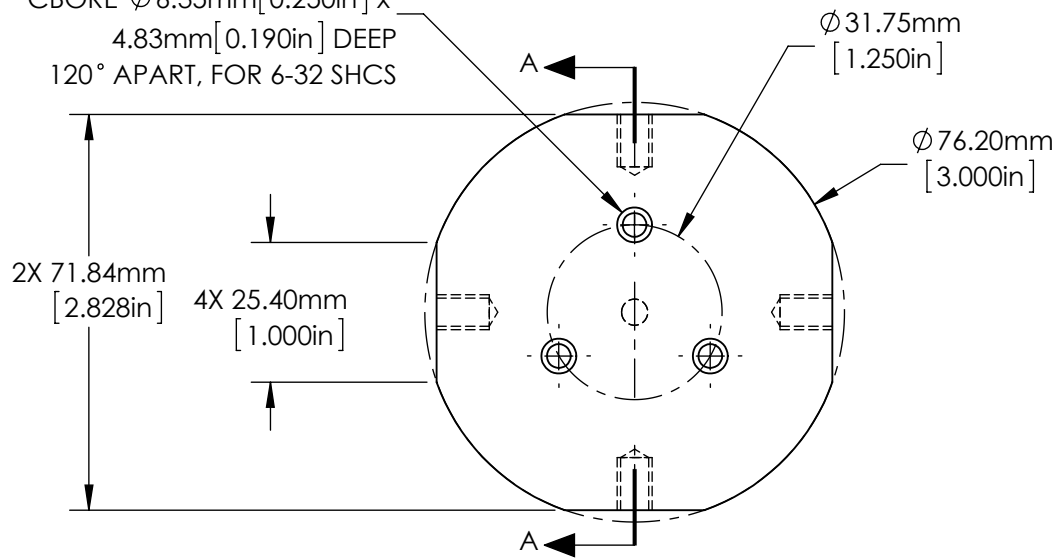


3X \varnothing 4.32mm [0.170in] THRU
 CBORE \varnothing 6.35mm [0.250in] x
 4.83mm [0.190in] DEEP
 120° APART, FOR 6-32 SHCS



SECTION A-A

FOR INFORMATION ONLY:
DO NOT MANUFACTURE PARTS TO THIS DRAWING

SPECIFICATIONS SUBJECT TO CHANGE WITHOUT NOTICE
 DIMENSIONS ARE FOR REFERENCE ONLY
 DIMENSIONS ARE IN mm [INCHES]

EO® Edmund Optics®

TITLE	Mounting Plate for 50.8mm Diameter Off-Axis Mirrors		
DWG NO	47112	MATERIAL	BLACK ANODIZED ALUMINUM
			SHEET 1 OF 1

Enable 3D View