

NOTES:

1. SUBSTRATE:
GRADE A FINE ANNEALED
SCHOTT: N-SF11 785/258
2. ROHS COMPLIANT
3. CENTERING TOLERANCE (AT 587.6nm):
BEAM DEVIATION (HALF ANGLE): <1 ARCMIN
4. COATING (APPLY ACROSS COATING APERTURE)
S1 & S2: VIS-NIR
R(ABS) ≤ 0.25% AT 880nm @ 0° AOI
R(AVG) ≤ 1.25% FROM 400-870nm @ 0° AOI
R(AVG) ≤ 1.25% FROM 890-1000nm @ 0° AOI

5. FINE GRIND SURFACE

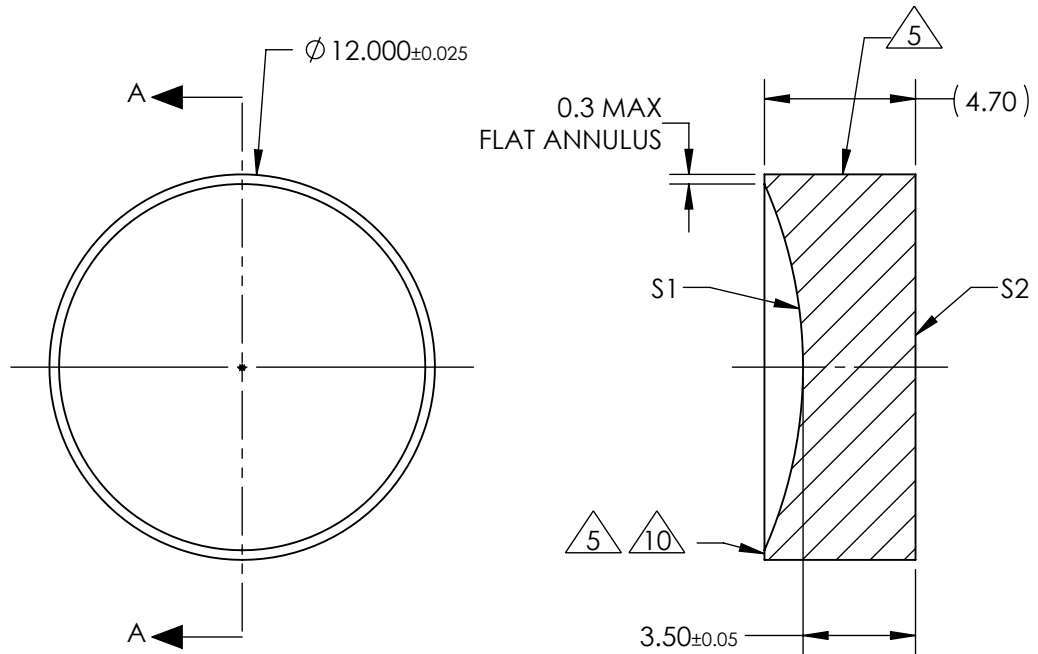
6. POWER, IRREGULARITY, AND SURFACE QUALITY SPECIFICATIONS APPLY ACROSS CLEAR APERTURE

7. FOCAL LENGTH (EFL): -18.00mm±1%
BACK FOCAL LENGTH (BFL): -19.95mm

8. PROTECTIVE BEVEL AS NEEDED

9. DESIGN WAVELENGTH: 587.6nm

10. BLACKENED SURFACE



SECTION A-A

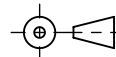
**FOR INFORMATION ONLY:
DO NOT MANUFACTURE
PARTS TO THIS DRAWING**

| | S1 | S2 |
|-------------------------|------------|------------|
| SHAPE | CONCAVE | PLANO |
| RADIUS | 14.12 | INFINITY |
| SURFACE QUALITY | 40 - 20 | 40 - 20 |
| MIN CLEAR APERTURE | ∅ 11.00 | ∅ 11.00 |
| MIN COATING APERTURE | ∅ 11.00 | ∅ 11.00 |
| POWER AT 632.8nm | 3.00 RINGS | 3.00 RINGS |
| IRREGULARITY AT 632.8nm | 0.50 RINGS | 0.50 RINGS |

SPECIFICATIONS SUBJECT TO CHANGE WITHOUT NOTICE
DIMENSIONS ARE FOR REFERENCE ONLY

EO® Edmund Optics®

THIRD ANGLE
PROJECTION



TITLE

12mm Diameter x -18 FL, VIS-NIR, Inked,
Plano-Concave Lens

DWG NO

48347INK

ALL DIMS IN

mm

SHEET
1 OF 1