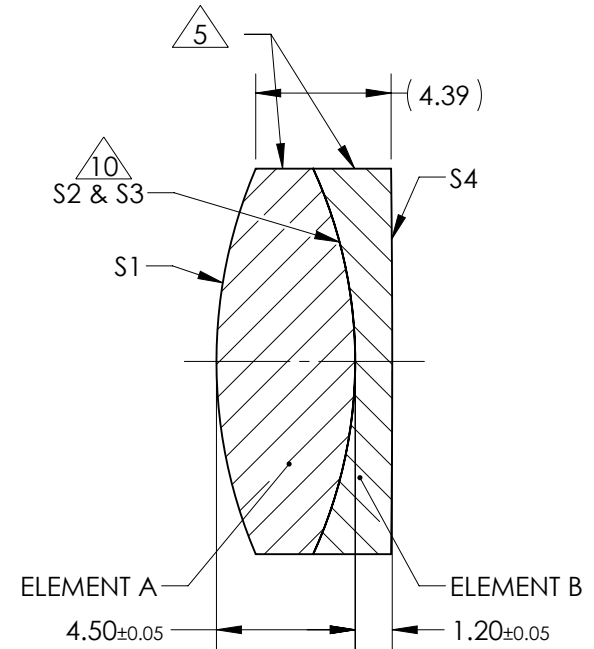
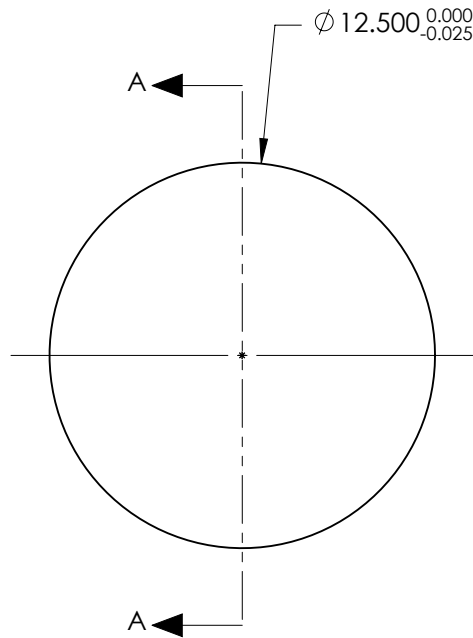


NOTES:

1. SUBSTRATE:  
 ELEMENT A: GRADE A FINE ANNEALED  
 SCHOTT: N-SSK8 618/498  
  
 ELEMENT B: GRADE A FINE ANNEALED  
 SCHOTT: N-SF10 728/284
2. ROHS COMPLIANT
3. CENTERING TOLERANCE (AT 587.6nm):  
 BEAM DEVIATION (HALF ANGLE): <1 ARCMIN
4. COATING (APPLY ACROSS COATING APERTURE)  
  
 S1 & S4: VIS-NIR  
 R(ABS) ≤ 0.25% AT 880nm @ 0° AOI  
 R(AVG) ≤ 1.25% FROM 400-870nm @ 0° AOI  
 R(AVG) ≤ 1.25% FROM 890-1000nm @ 0° AOI  
 S2 & S3: NONE

5. FINE GRIND SURFACE
6. POWER, IRREGULARITY, AND SURFACE QUALITY SPECIFICATIONS APPLY ACROSS CLEAR APERTURE
7. FOCAL LENGTH (EFL): 30.00mm ±2%  
 BACK FOCAL LENGTH (BFL): 26.12mm
8. PROTECTIVE BEVEL AS NEEDED
9. DESIGN WAVELENGTH: 587.6nm
10. ELEMENTS TO BE CEMENTED WITH NORLAND OPTICAL ADHESIVE NOA61



SECTION A-A

**FOR INFORMATION ONLY:  
 DO NOT MANUFACTURE  
 PARTS TO THIS DRAWING**

| ELEMENT TITLE           | SPECIFICATIONS AFTER CEMENTING |            |            |            |
|-------------------------|--------------------------------|------------|------------|------------|
|                         | ELEMENT A                      |            | ELEMENT B  |            |
| SURFACE                 | S1                             | S2         | S3         | S4         |
| SHAPE                   | CONVEX                         | CONVEX     | CONCAVE    | CONVEX     |
| RADIUS                  | 15.97                          | 15.00      | 15.00      | 528.23     |
| SURFACE QUALITY         | 40 - 20                        | 40 - 20    | 40 - 20    | 40 - 20    |
| MIN CLEAR APERTURE      | ∅ 11.50                        | ∅ 11.50    | ∅ 11.50    | ∅ 11.50    |
| MIN COATING APERTURE    | ∅ 11.50                        | N/A        | N/A        | ∅ 11.50    |
| POWER AT 632.8nm        | 3.00 RINGS                     | 3.00 RINGS | 3.00 RINGS | 3.00 RINGS |
| IRREGULARITY AT 632.8nm | 0.50 RINGS                     | 0.50 RINGS | 0.50 RINGS | 0.50 RINGS |

SPECIFICATIONS SUBJECT TO CHANGE WITHOUT NOTICE  
 DIMENSIONS ARE FOR REFERENCE ONLY

**EO** <sup>®</sup> Edmund Optics <sup>®</sup>

|                        |    |        |  |              |
|------------------------|----|--------|--|--------------|
| THIRD ANGLE PROJECTION |    | TITLE  | 12.5mm Dia. x 30mm FL, VIS-NIR Coated, Achromatic Lens |              |
| ALL DIMS IN            | mm | DWG NO | 49324  | SHEET 1 OF 1 |