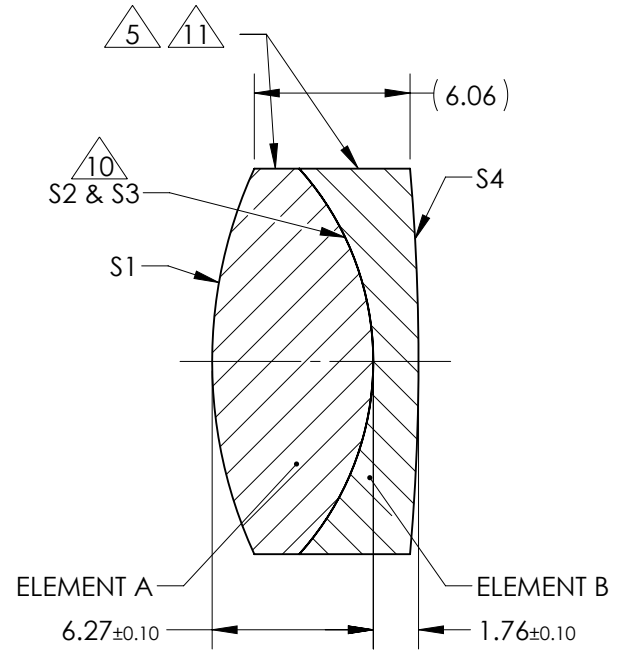
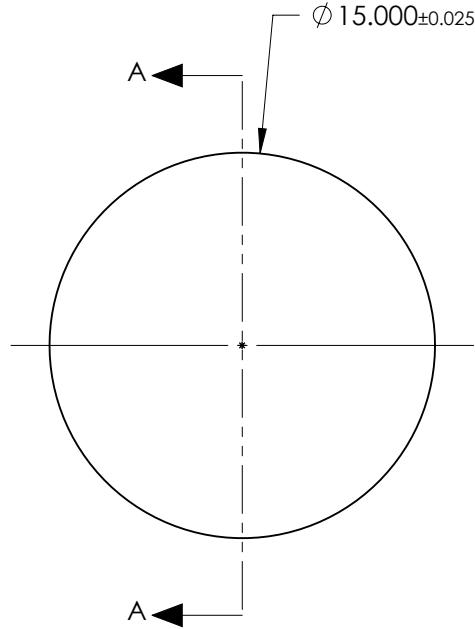


NOTES:

1. SUBSTRATE:  
 ELEMENT A: GRADE A FINE ANNEALED  
 OHARA: S-BAH11 667/483  
  
 ELEMENT B: GRADE A FINE ANNEALED  
 SCHOTT: N-SF10 728/284
2. ROHS COMPLIANT
3. CENTERING TOLERANCE (AT 587.6nm):  
 BEAM DEVIATION (HALF ANGLE): <1 ARCMIN
4. COATING (APPLY ACROSS COATING APERTURE)  
  
 S1 & S4: VIS-NIR  
 R(ABS) ≤ 0.25% AT 880nm @ 0° AOI  
 R(AVG) ≤ 1.25% FROM 400-870nm @ 0° AOI  
 R(AVG) ≤ 1.25% FROM 890-1000nm @ 0° AOI  
 S2 & S3: NONE

- 5. FINE GRIND SURFACE
- 6. POWER, IRREGULARITY, AND SURFACE QUALITY SPECIFICATIONS APPLY ACROSS CLEAR APERTURE
- 7. FOCAL LENGTH (EFL): 25.00mm ±2%  
 BACK FOCAL LENGTH (BFL): 20.98mm
- 8. PROTECTIVE BEVEL AS NEEDED
- 9. DESIGN WAVELENGTH: 587.6nm
- 10. ELEMENTS TO BE CEMENTED WITH NORLAND OPTICAL ADHESIVE NOA61
- 11. BLACKENED SURFACE



SECTION A-A

**FOR INFORMATION ONLY:  
 DO NOT MANUFACTURE  
 PARTS TO THIS DRAWING**

ELEMENT TITLE	SPECIFICATIONS AFTER CEMENTING			
	ELEMENT A		ELEMENT B	
SURFACE	S1	S2	S3	S4
SHAPE	CONVEX	CONVEX	CONCAVE	CONVEX
RADIUS	17.97	11.20	11.20	85.31
SURFACE QUALITY	40 - 20	40 - 20	40 - 20	40 - 20
MIN CLEAR APERTURE	Ø 14.00	Ø 14.00	Ø 14.00	Ø 14.00
MIN COATING APERTURE	Ø 14.00	N/A	N/A	Ø 14.00
POWER AT 632.8nm	3.00 RINGS	3.00 RINGS	3.00 RINGS	3.00 RINGS
IRREGULARITY AT 632.8nm	0.50 RINGS	0.50 RINGS	0.50 RINGS	0.50 RINGS

SPECIFICATIONS SUBJECT TO CHANGE WITHOUT NOTICE  
 DIMENSIONS ARE FOR REFERENCE ONLY



THIRD ANGLE PROJECTION		TITLE	15mm Dia. x 25mm FL, VIS-NIR, Inked, Achromatic Lens	
ALL DIMS IN	mm	DWG NO	49334INK	SHEET 1 OF 1