

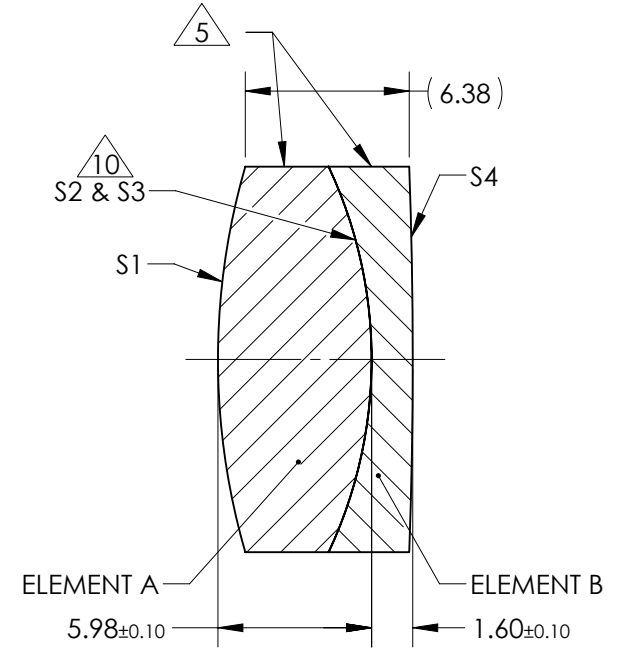
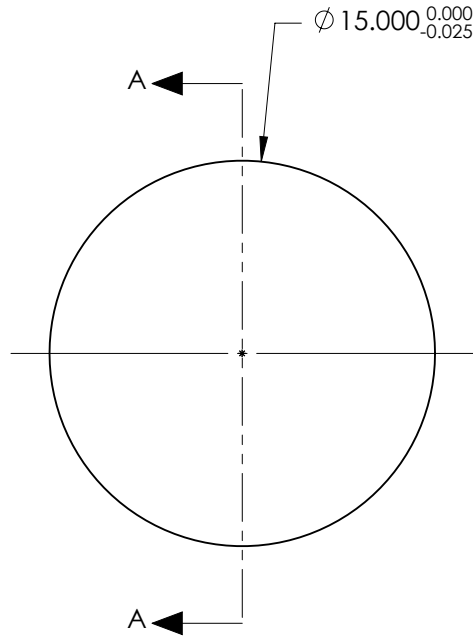
NOTES:

1. SUBSTRATE:
 ELEMENT A: GRADE A FINE ANNEALED
 SCHOTT: N-BaF10 670/472

 ELEMENT B: GRADE A FINE ANNEALED
 SCHOTT: N-SF10 728/284
2. ROHS COMPLIANT
3. CENTERING TOLERANCE (AT 587.6nm):
 BEAM DEVIATION (HALF ANGLE): <1 ARCMIN
4. COATING (APPLY ACROSS COATING APERTURE)

 S1 & S4: VIS-NIR
 R(ABS) ≤ 0.25% AT 880nm @ 0° AOI
 R(AVG) ≤ 1.25% FROM 400-870nm @ 0° AOI
 R(AVG) ≤ 1.25% FROM 890-1000nm @ 0° AOI
 S2 & S3: NONE

5. FINE GRIND SURFACE
6. POWER, IRREGULARITY, AND SURFACE QUALITY SPECIFICATIONS APPLY ACROSS CLEAR APERTURE
7. FOCAL LENGTH (EFL): 40.00mm ±2%
 BACK FOCAL LENGTH (BFL): 35.63mm
8. PROTECTIVE BEVEL AS NEEDED
9. DESIGN WAVELENGTH: 587.6nm
10. ELEMENTS TO BE CEMENTED WITH NORLAND OPTICAL ADHESIVE NOA61



SECTION A-A

**FOR INFORMATION ONLY:
 DO NOT MANUFACTURE
 PARTS TO THIS DRAWING**

ELEMENT TITLE	SPECIFICATIONS AFTER CEMENTING			
	ELEMENT A		ELEMENT B	
SURFACE	S1	S2	S3	S4
SHAPE	CONVEX	CONVEX	CONCAVE	CONVEX
RADIUS	26.97	17.64	17.64	205.03
SURFACE QUALITY	40 - 20	40 - 20	40 - 20	40 - 20
MIN CLEAR APERTURE	∅ 14.00	∅ 14.00	∅ 14.00	∅ 14.00
MIN COATING APERTURE	∅ 14.00	N/A	N/A	∅ 14.00
POWER AT 632.8nm	3.00 RINGS	3.00 RINGS	3.00 RINGS	3.00 RINGS
IRREGULARITY AT 632.8nm	0.50 RINGS	0.50 RINGS	0.50 RINGS	0.50 RINGS

SPECIFICATIONS SUBJECT TO CHANGE WITHOUT NOTICE
 DIMENSIONS ARE FOR REFERENCE ONLY

EO® Edmund Optics®

THIRD ANGLE PROJECTION		TITLE	15mm Dia. x 40mm FL, VIS-NIR Coated, Achromatic Lens	
ALL DIMS IN	mm	DWG NO	49336	SHEET 1 OF 1