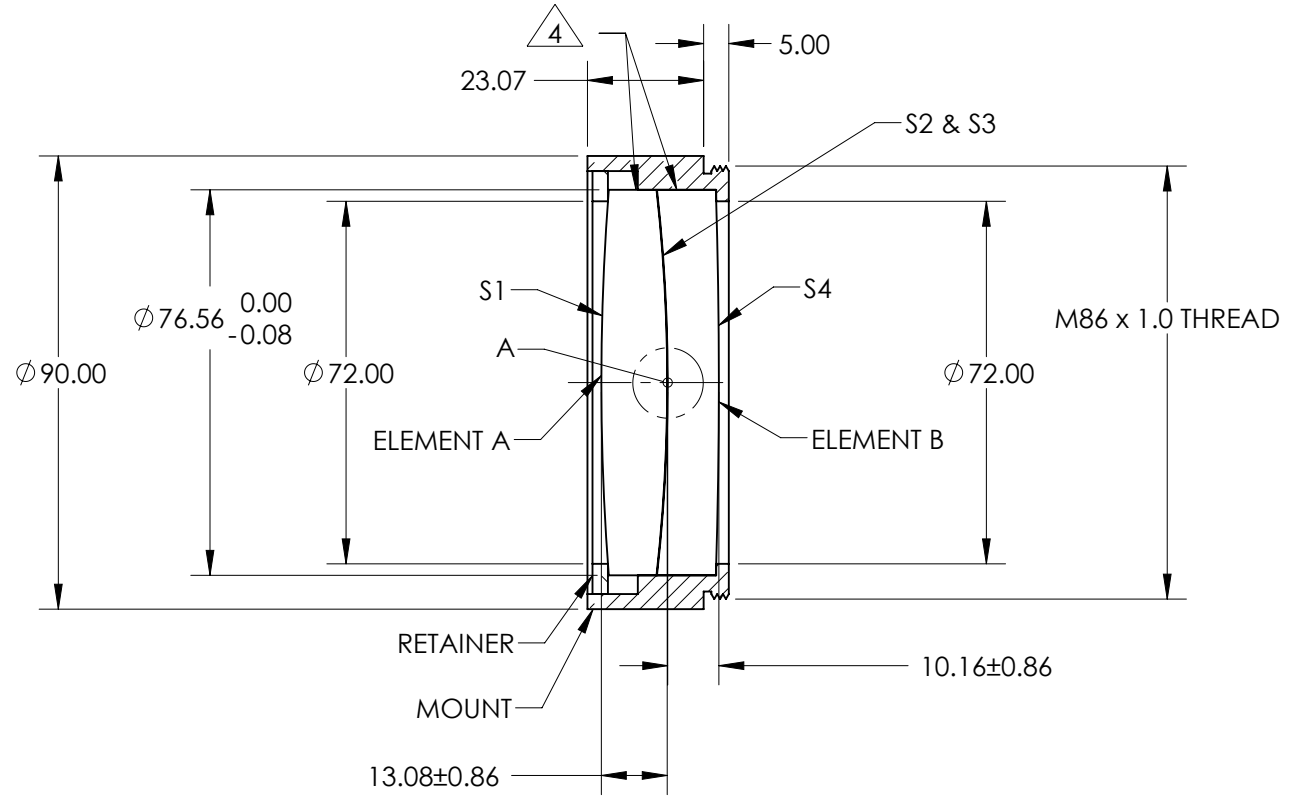
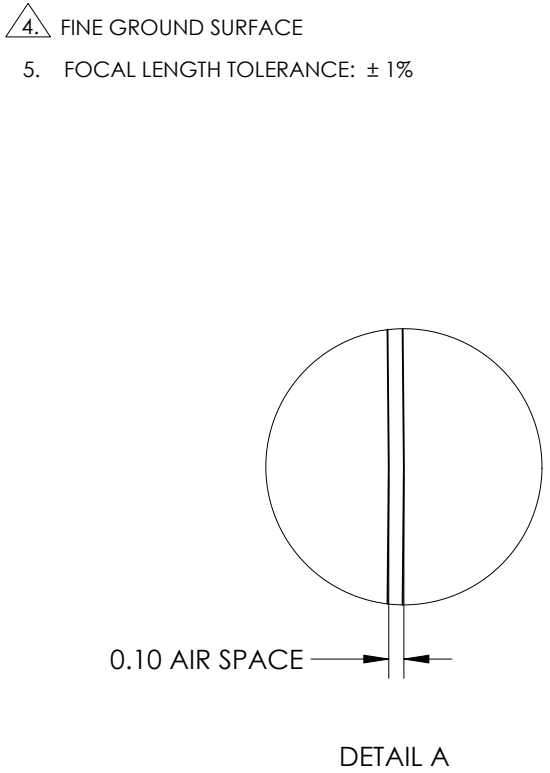


NOTES:

1. ALLOWABLE OPTICAL MATERIAL: GRADE A FINE ANNEALED
ELEMENT A: SCHOTT: N-BK7 517/642
ELEMENT B: SCHOTT: N-SF2 648/339
2. CENTERING TOLERANCE:
BEAM DEVIATION: 5 arc min.
3. COATING (APPLY ACROSS COATING APERTURE)
S1, S2, S3 & S4: 1/4 Wave MgF2@550nm
Ravg ≤1.75% 400-700nm (BK7)
4. FINE GROUND SURFACE
5. FOCAL LENGTH TOLERANCE: ± 1%



FOR INFORMATION ONLY:
DO NOT MANUFACTURE PARTS TO THIS DRAWING

SPECIFICATIONS SUBJECT TO CHANGE WITHOUT NOTICE
DIMENSIONS ARE FOR REFERENCE ONLY

	ELEMENT A		ELEMENT B	
	S1	S2	S3	S4
SHAPE	CONVEX	CONVEX	CONCAVE	CONVEX
RADIUS	497.21	-345.82	-344.20	-1,227.86
SURFACE QUALITY	60-40	60-40	60-40	60-40
CLEAR APERTURE	φ 72.00mm	φ 72.00mm	φ 72.00mm	φ 72.00mm
BEVEL MAX FACE	0.4mm x 45°	0.4mm x 45°	0.4mm x 45°	0.4mm x 45°

EFL (AT 587.6nm)	849.96
BFL (AT 587.6nm)	838.69
ALL DIMS IN	mm



TITLE	LENS LARGE ACHROMAT MOUNTED 76.56 MM DIA X 849.96MM FL MgF2
DWG NO	54567