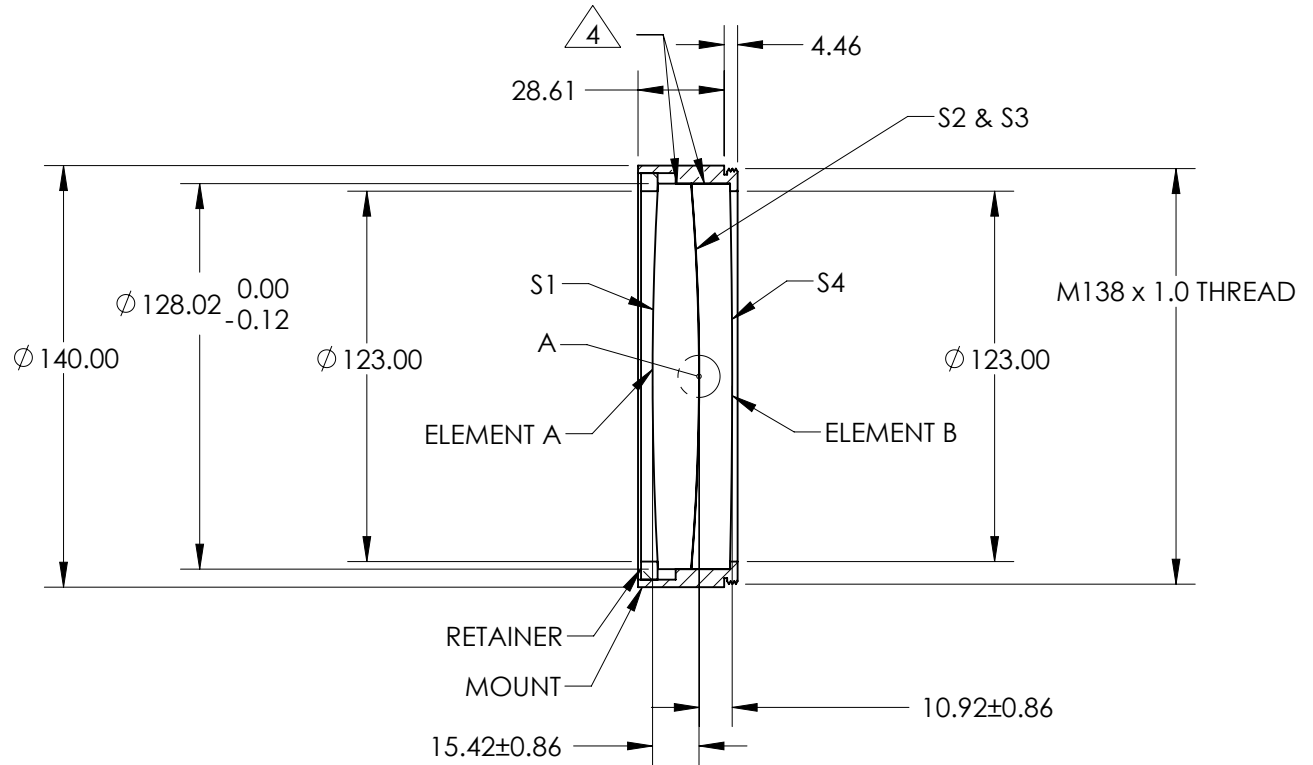


NOTES:

1. ALLOWABLE OPTICAL MATERIAL: GRADE A FINE ANNEALED  
ELEMENT A: SCHOTT: N-BK7 517/642  
ELEMENT B: SCHOTT: N-SF2 648/339
2. CENTERING TOLERANCE:  
BEAM DEVIATION: 5 arc min.
3. COATING (APPLY ACROSS COATING APERTURE)  
S1, S2, S3 & S4: 1/4 Wave MgF2@550nm  
Ravg ≤1.75% 400-700nm (BK7)

△ 4. FINE GROUND SURFACE

5. FOCAL LENGTH TOLERANCE: ± 1%



**FOR INFORMATION ONLY:  
DO NOT MANUFACTURE PARTS TO THIS DRAWING**

SPECIFICATIONS SUBJECT TO CHANGE WITHOUT NOTICE  
DIMENSIONS ARE FOR REFERENCE ONLY

	ELEMENT A		ELEMENT B	
	S1	S2	S3	S4
SHAPE	CONVEX	CONVEX	CONCAVE	CONVEX
RADIUS	1,131.72	-780.87	-779.37	-2,704.01
SURFACE QUALITY	60-40	60-40	60-40	60-40
CLEAR APERTURE	∅ 123.00mm	∅ 123.00mm	∅ 123.00mm	∅ 123.00mm
BEVEL MAX FACE	0.4mm x 45°	0.4mm x 45°	0.4mm x 45°	0.4mm x 45°

EFL (AT 587.6nm)	1,900.24	 <b>Edmund Optics®</b>	
BFL (AT 587.6nm)	1,887.58		
ALL DIMS IN	mm	TITLE	LENS LARGE ACHROMAT MOUNTED 128.02MM DIA X 1900.24MM FL MgF2
		DWG NO	54569