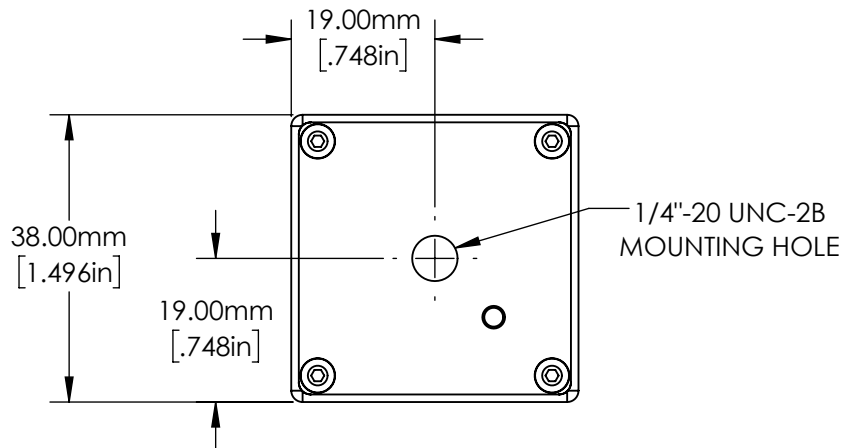
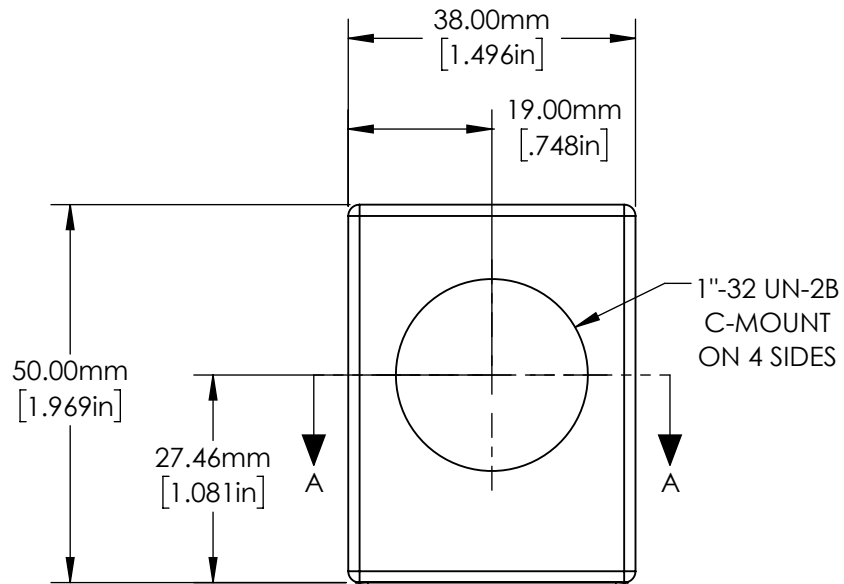


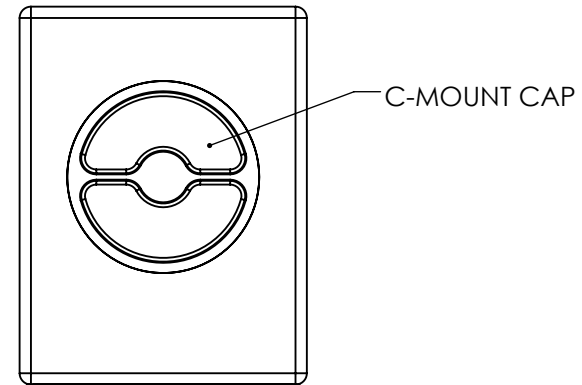
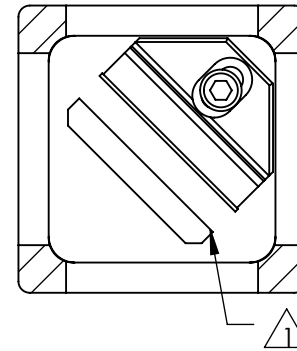
NOTES:

 DIMENSIONS OF COMPATIBLE OPTICS:

- MAX PLATE HEIGHT: 40.00mm
- MAX PLATE LENGTH: 35.00mm
- PLATE THICKNESS: 3mm



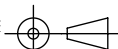
SECTION A-A



**FOR INFORMATION ONLY:  
DO NOT MANUFACTURE  
PARTS TO THIS DRAWING**

SPECIFICATIONS SUBJECT TO CHANGE WITHOUT NOTICE  
DIMENSIONS ARE FOR REFERENCE ONLY

 **Edmund Optics®**

THIRD ANGLE PROJECTION 		TITLE	MOUNT ONLY FOR ANY 35mm SQ x 3mm THICK PLATE	
ALL DIMS IN	mm	DWG NO	56265	SHEET 1 OF 1