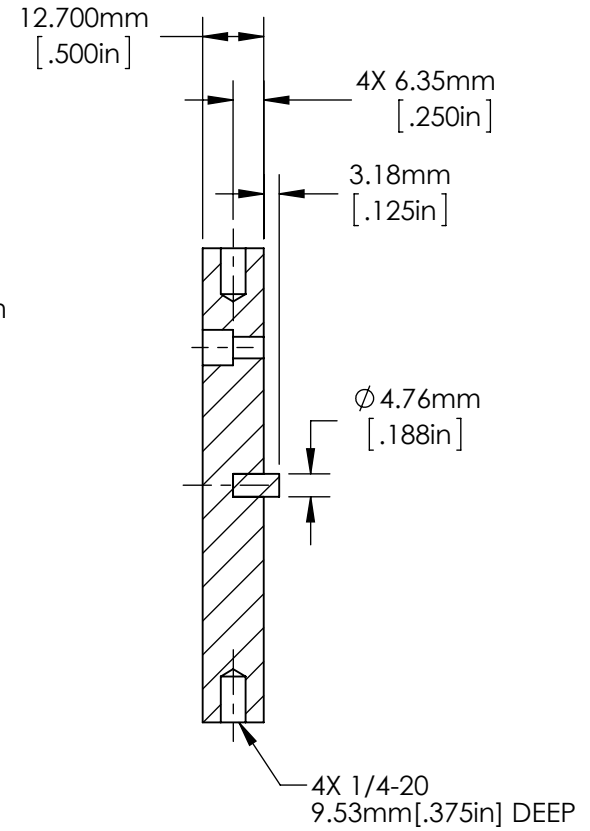
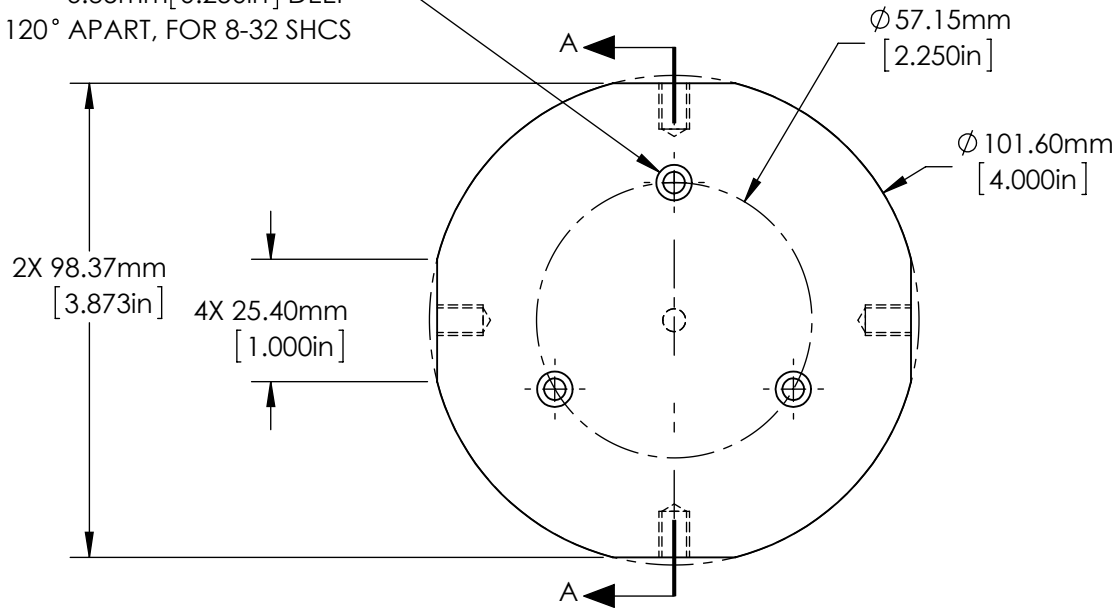


3X  $\varnothing$  4.50mm [0.177in] THRU  
 CBORE  $\varnothing$  7.37mm [0.290in] x  
 6.35mm [0.250in] DEEP  
 120° APART, FOR 8-32 SHCS



SECTION A-A

**FOR INFORMATION ONLY:**  
**DO NOT MANUFACTURE PARTS TO THIS DRAWING**

SPECIFICATIONS SUBJECT TO CHANGE WITHOUT NOTICE  
 DIMENSIONS ARE FOR REFERENCE ONLY  
 DIMENSIONS ARE IN mm [INCHES]

**EO**® Edmund Optics®

TITLE	Mounting Plate for 76.2mm Diameter Off-Axis Mirrors		
DWG NO	63375	MATERIAL	BLACK ANODIZED ALUMINUM
			SHEET 1 OF 1

Enable 3D View