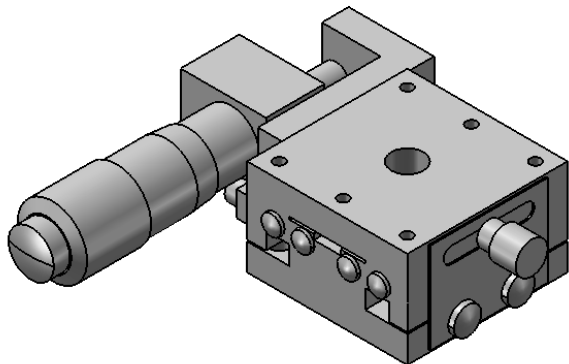
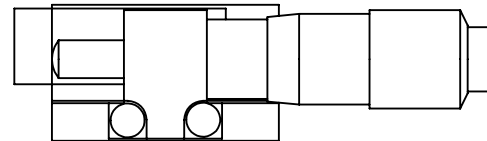


MICROMETER BASE

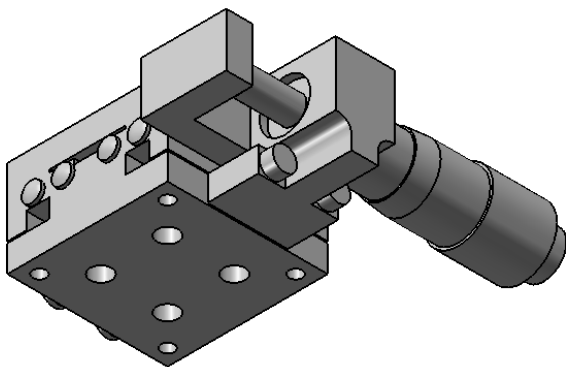
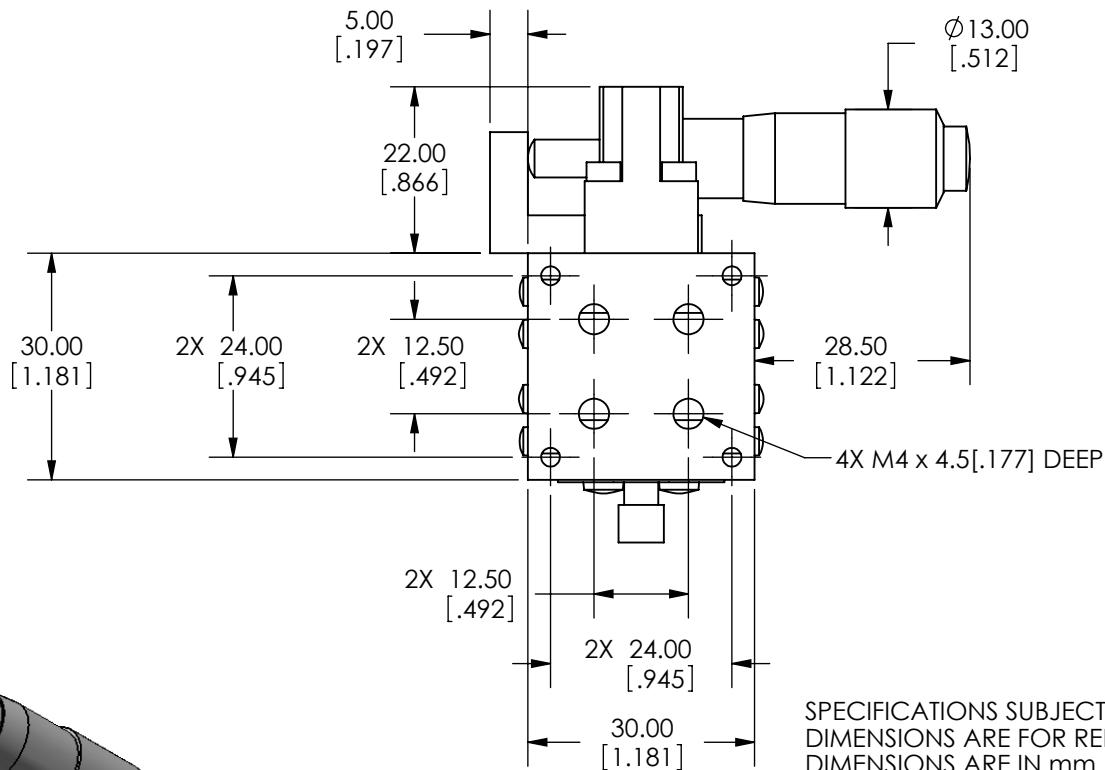
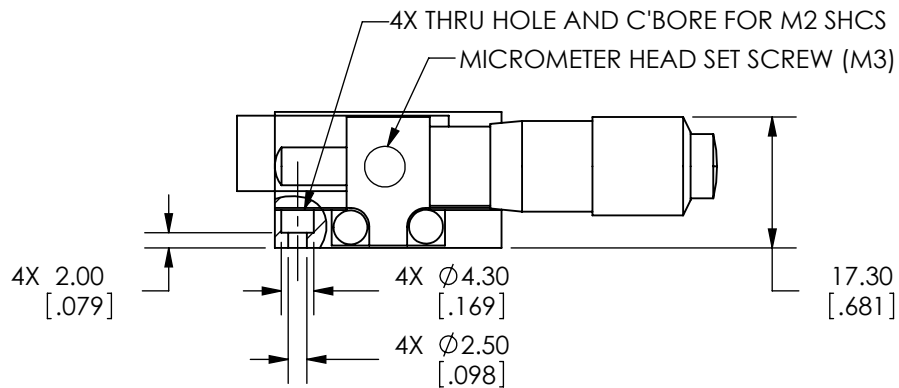
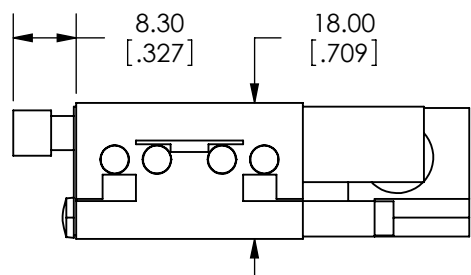


SPECIFICATIONS SUBJECT TO CHANGE WITHOUT NOTICE
 DIMENSIONS ARE FOR REFERENCE ONLY
 DIMENSIONS ARE IN mm [INCHES]



Edmund Optics

TITLE	30mm CENTER DRIVE, METRIC MICROMETER STAGE		
DWG NO	66393	SHEET 1 OF 2	REV 000



SPECIFICATIONS SUBJECT TO CHANGE WITHOUT NOTICE
 DIMENSIONS ARE FOR REFERENCE ONLY
 DIMENSIONS ARE IN mm [INCHES]

 Edmund Optics				
TITLE	30mm CENTER DRIVE, METRIC MICROMETER STAGE			
DWG NO	66393	SHEET 2 OF 2	REV	000

Enable 3D View