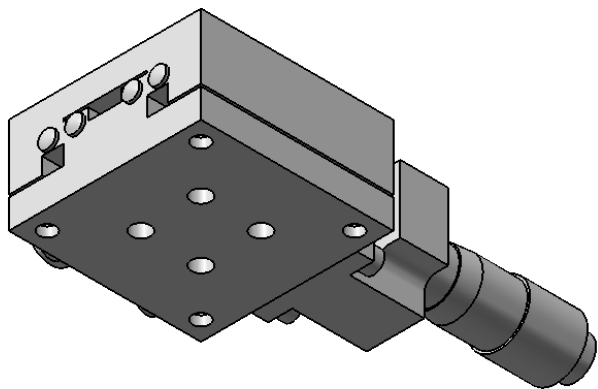
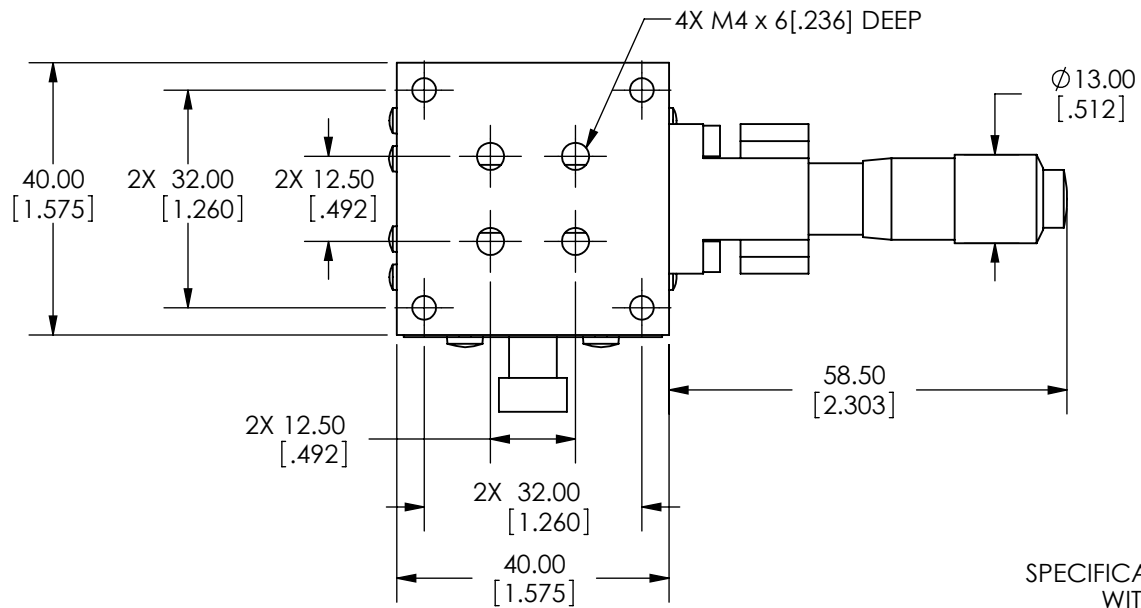
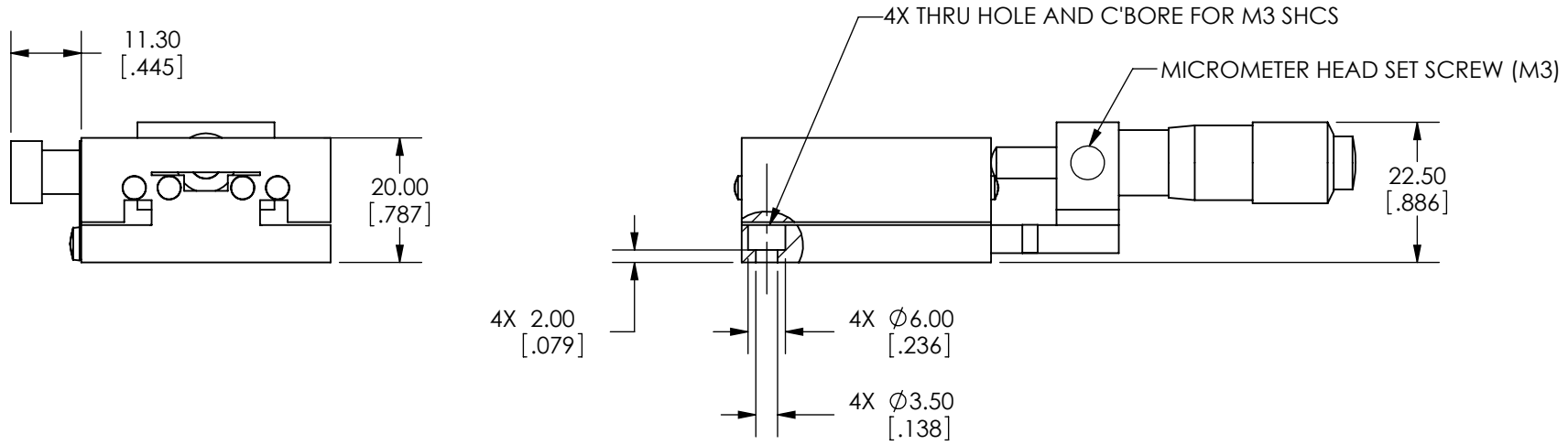


 <b>Edmund Optics</b>	
TITLE	40mm CENTER DRIVE, METRIC MICROMETER STAGE
DWG NO	66409
SHEET 1 OF 2	REV 000



SPECIFICATIONS SUBJECT TO CHANGE  
WITHOUT NOTICE  
DIMENSIONS ARE FOR REFERENCE ONLY  
DIMENSIONS ARE IN mm [INCHES]

**EO**<sup>®</sup> Edmund Optics

TITLE 40mm CENTER DRIVE, METRIC MICROMETER STAGE

DWG NO 66409

SHEET 2 OF 2 REV 000

Enable 3D View