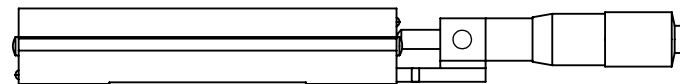
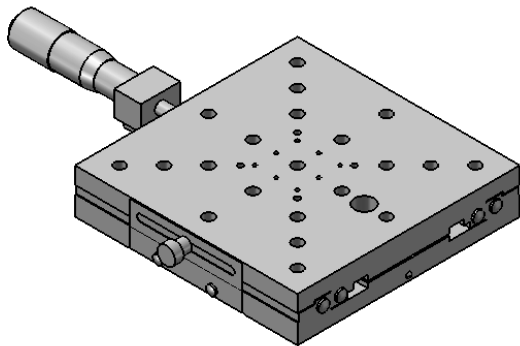
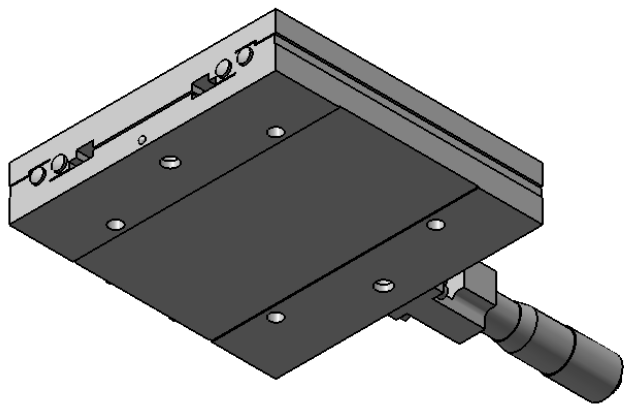
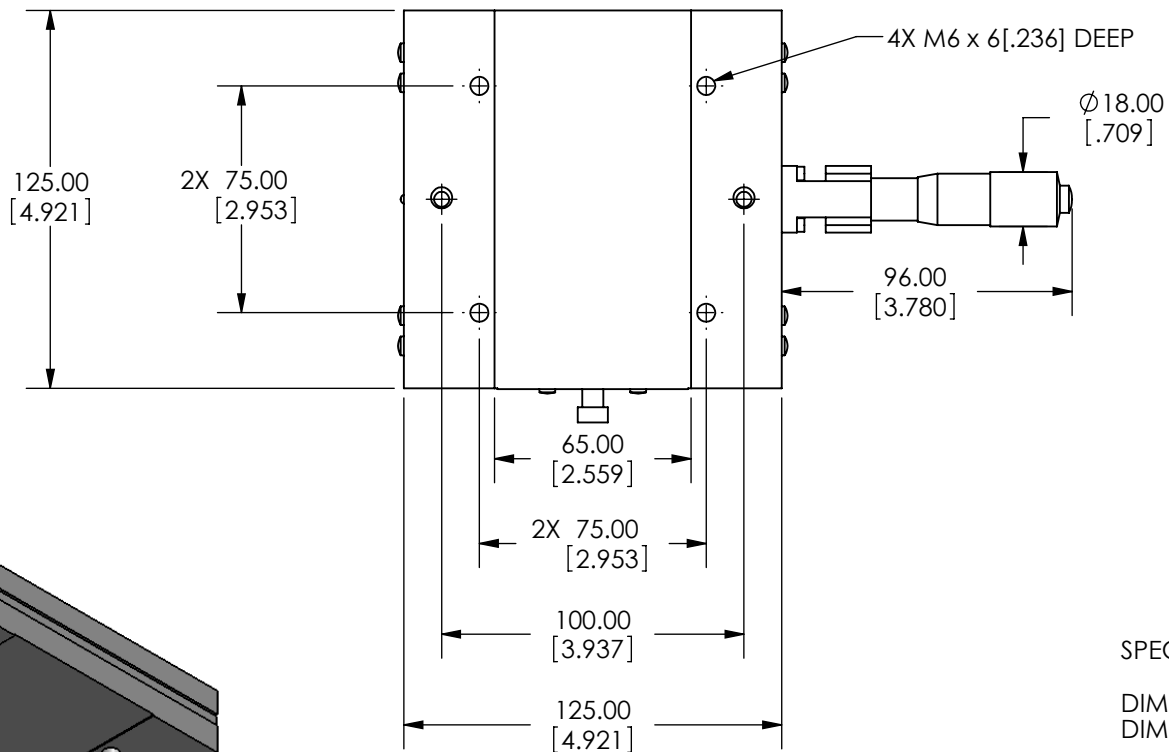
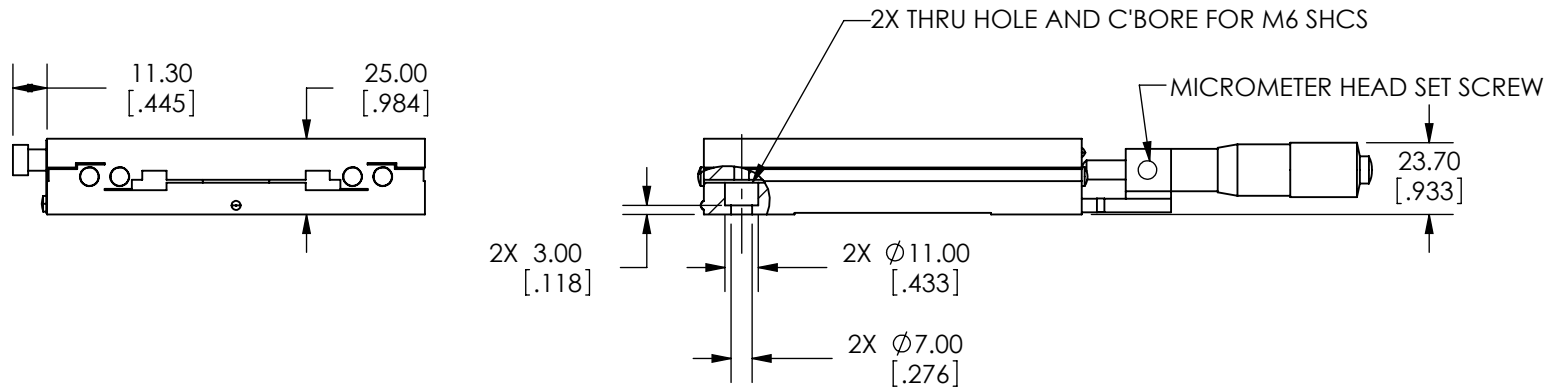


SPECIFICATIONS SUBJECT TO CHANGE
WITHOUT NOTICE
DIMENSIONS ARE FOR REFERENCE ONLY
DIMENSIONS ARE IN mm [INCHES]



Edmund Optics

TITLE	125mm CENTER DRIVE, METRIC MICROMETER STAGE		
DWG NO	66457	SHEET 1 OF 2	REV 000



SPECIFICATIONS SUBJECT TO CHANGE
 WITHOUT NOTICE
 DIMENSIONS ARE FOR REFERENCE ONLY
 DIMENSIONS ARE IN mm [INCHES]

EO® Edmund Optics

TITLE	125mm CENTER DRIVE, METRIC MICROMETER STAGE		
DWG NO	66457	SHEET 2 OF 2	REV 000

Enable 3D View