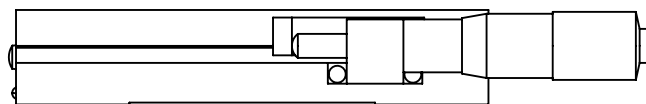
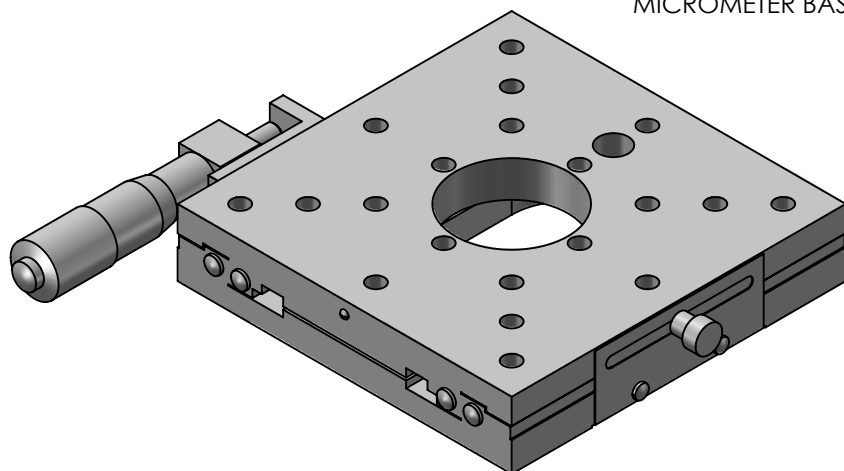
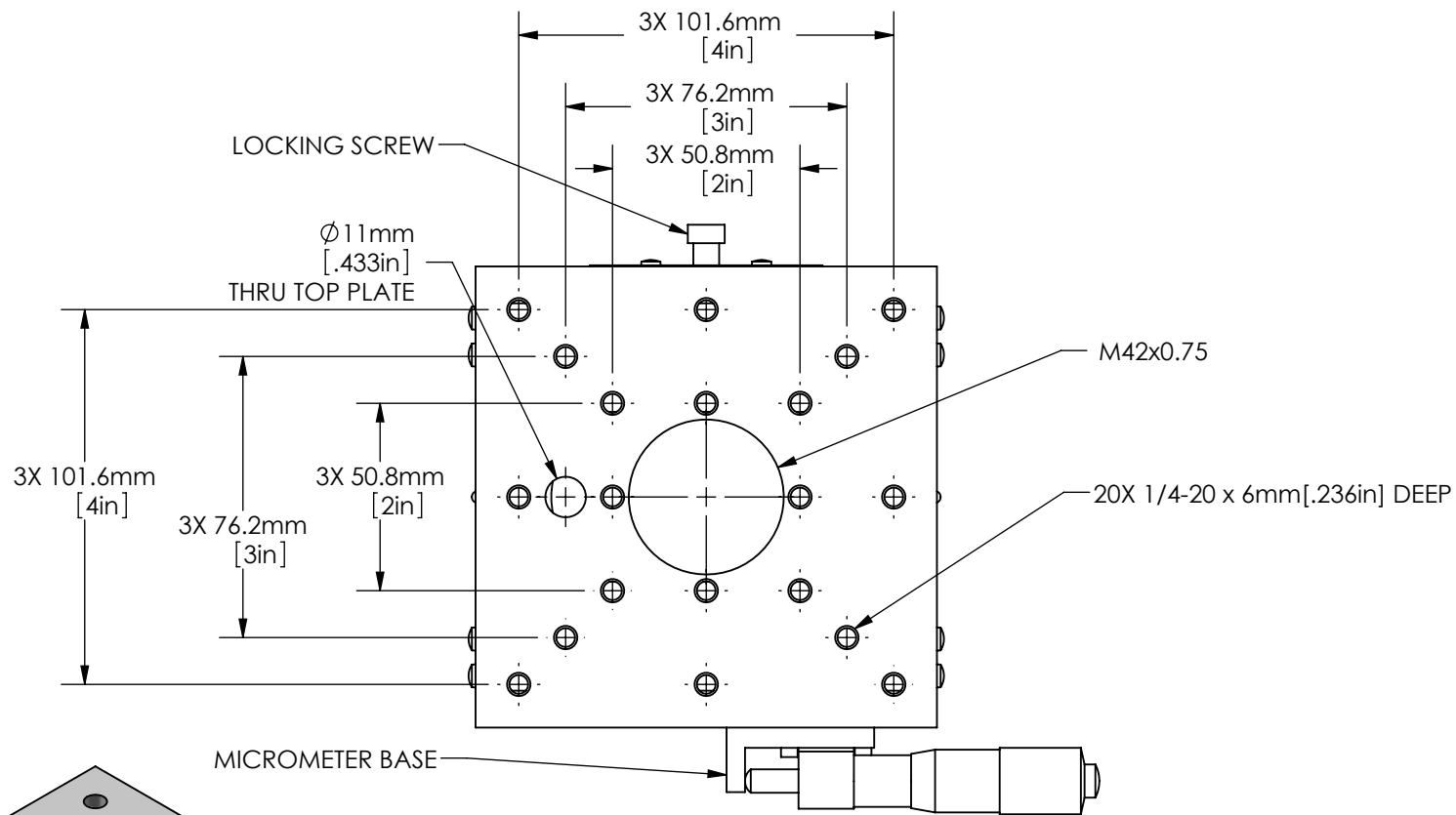
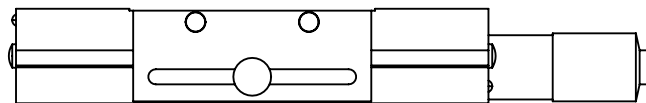


SPECIFICATIONS SUBJECT TO CHANGE WITHOUT NOTICE  
 DIMENSIONS ARE FOR REFERENCE ONLY  
 DIMENSIONS ARE IN mm [INCHES]

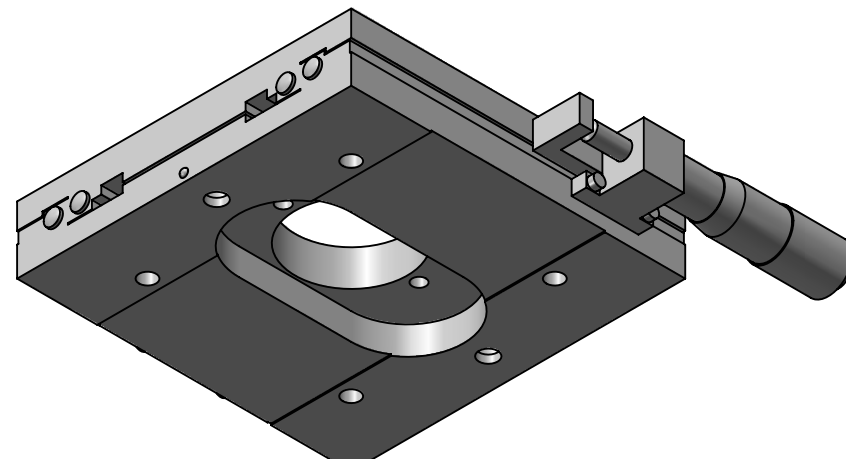
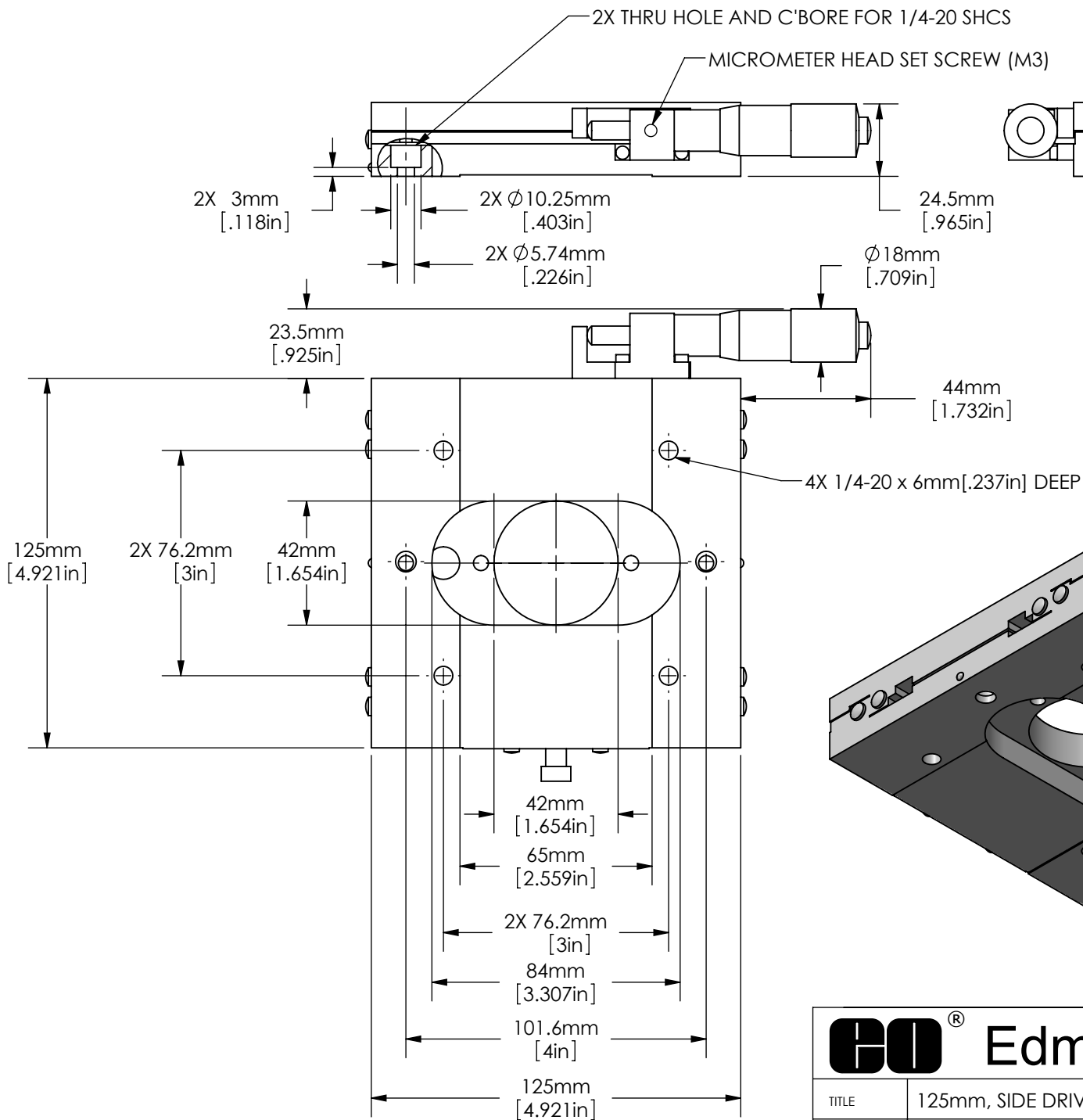


Edmund Optics

TITLE 125mm, SIDE DRIVE, TH, ENGLISH MICROMETER STAGE

DWG NO 66466

SHEET 1 OF 2 REV A



SPECIFICATIONS SUBJECT TO CHANGE  
 WITHOUT NOTICE  
 DIMENSIONS ARE FOR REFERENCE ONLY  
 DIMENSIONS ARE IN mm [INCHES]

 <b>Edmund Optics</b>				
TITLE	125mm, SIDE DRIVE, TH, ENGLISH MICROMETER STAGE			
DWG NO	66466	SHEET 2 OF 2	REV	A

Enable 3D View