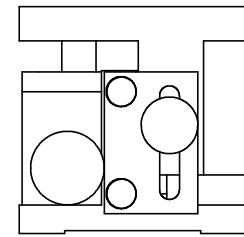
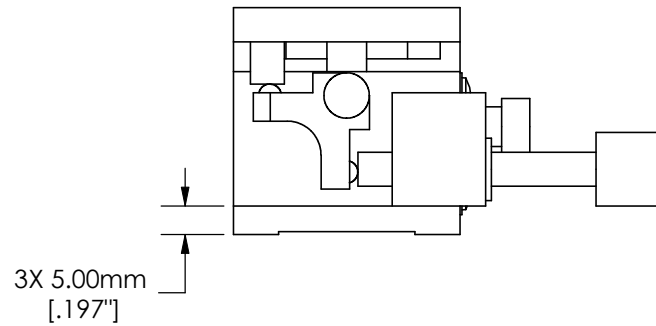
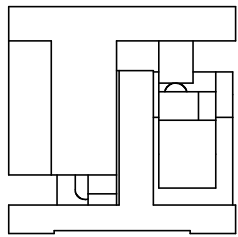


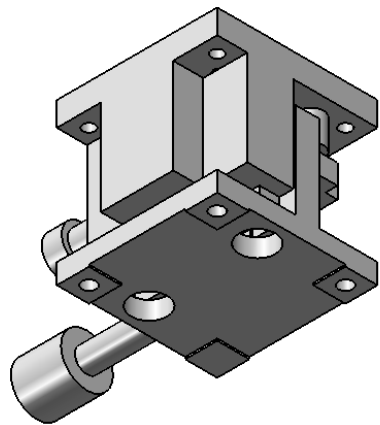
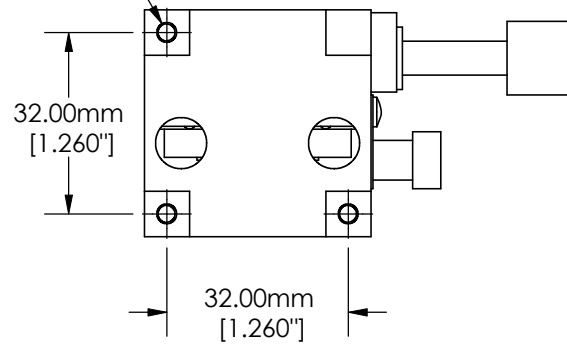
SPECIFICATIONS SUBJECT TO CHANGE WITHOUT NOTICE
 DIMENSIONS ARE FOR REFERENCE ONLY
 DIMENSIONS ARE IN mm [INCHES]

 **Edmund Optics®**

TITLE	40mm, Metric Z-Stage		
DWG NO	66500	SHEET 1 OF 2	REV 000



3X \varnothing 3.50mm THRU HOLE
[.138"]



SPECIFICATIONS SUBJECT TO CHANGE WITHOUT NOTICE
DIMENSIONS ARE FOR REFERENCE ONLY
DIMENSIONS ARE IN mm [INCHES]

 **Edmund Optics[®]**

TITLE 40mm, Metric Z-Stage

DWG NO 66500

SHEET 2 OF 2 REV 000

Enable 3D View