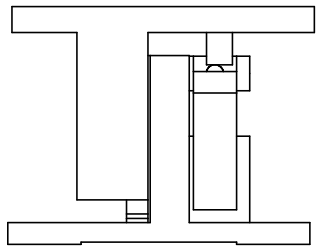
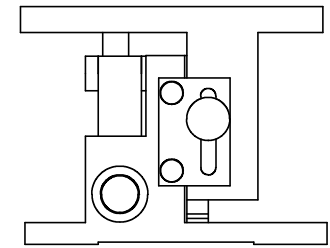
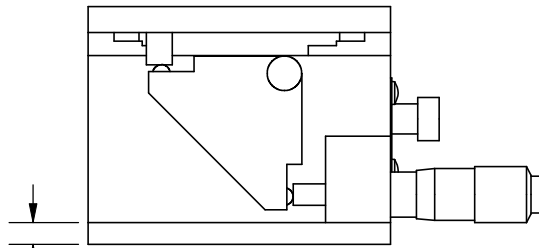


SPECIFICATIONS SUBJECT TO CHANGE WITHOUT NOTICE
 DIMENSIONS ARE FOR REFERENCE ONLY
 DIMENSIONS ARE IN mm [INCHES]

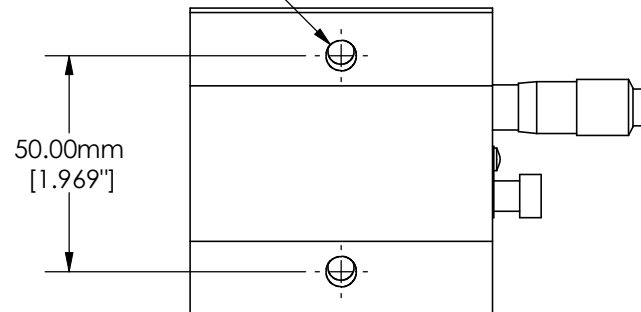
 Edmund Optics®			
TITLE	70mm, Metric Micrometer Z-Stage		
DWG NO	66505	SHEET 1 OF 2	REV 000



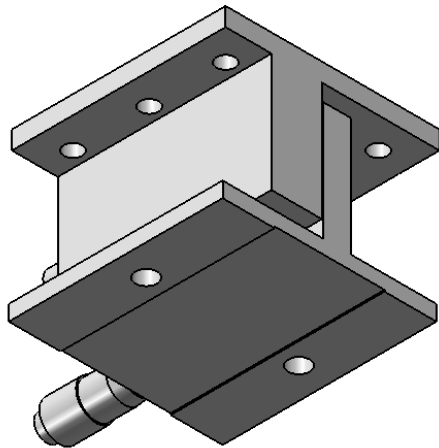
2X 5.00mm
[.197"]



2X \varnothing 7.00mm THRU HOLE
[.276"]



50.00mm
[1.969"]



SPECIFICATIONS SUBJECT TO CHANGE WITHOUT NOTICE
DIMENSIONS ARE FOR REFERENCE ONLY
DIMENSIONS ARE IN mm [INCHES]



Edmund Optics®

TITLE	70mm, Metric Micrometer Z-Stage		
DWG NO	66505	SHEET 2 OF 2	REV 000

Enable 3D View