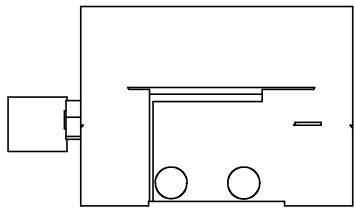
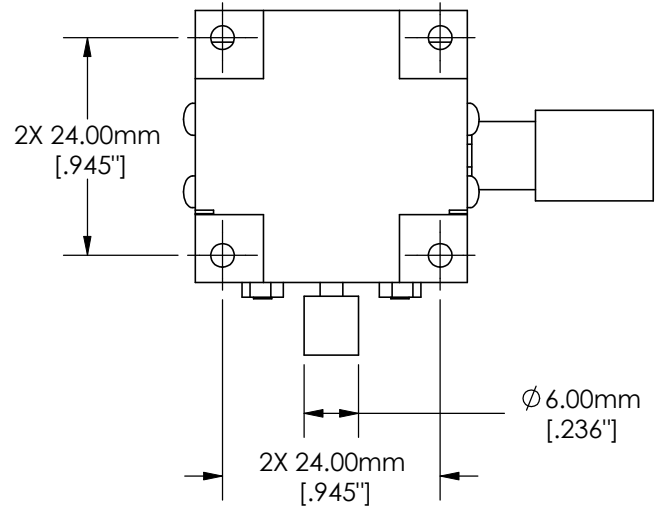
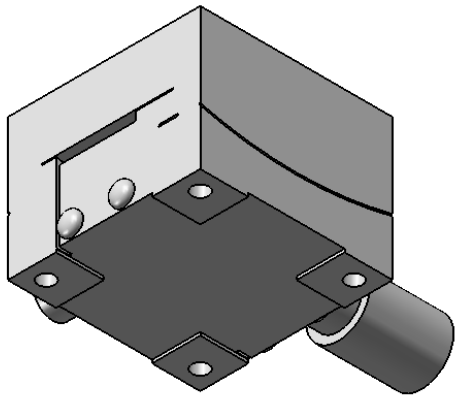
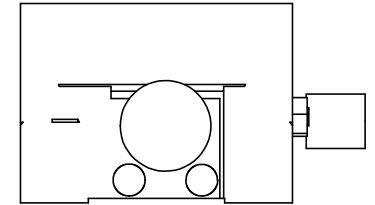
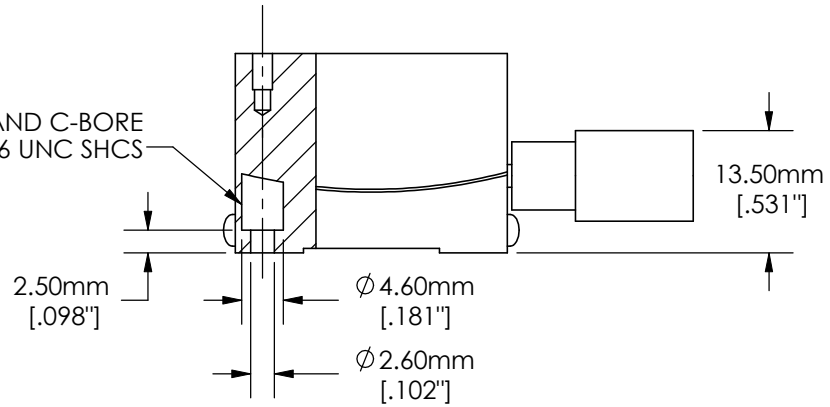


SPECIFICATIONS SUBJECT TO CHANGE WITHOUT NOTICE
 DIMENSIONS ARE FOR REFERENCE ONLY
 DIMENSIONS IN mm [INCHES]

 Edmund Optics®			
TITLE	30mm English Goniometer, 60mm Radius		
DWG NO	66521	SHEET 1 OF 2	REV 000



4X THRU HOLE AND C-BORE
FOR #2-56 UNC SHCS



SPECIFICATIONS SUBJECT TO CHANGE WITHOUT NOTICE
DIMENSIONS ARE FOR REFERENCE ONLY
DIMENSIONS IN mm [INCHES]

EO® Edmund Optics®

TITLE	30mm English Goniometer, 60mm Radius		
DWG NO	66521	SHEET 2 OF 2	REV 000

Enable 3D View