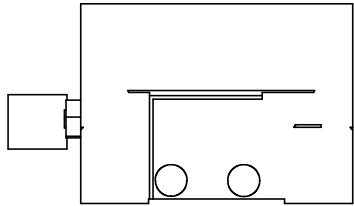


SPECIFICATIONS SUBJECT TO CHANGE WITHOUT NOTICE
 DIMENSIONS ARE FOR REFERENCE ONLY
 DIMENSIONS IN mm [INCHES]

 Edmund Optics®	
TITLE	30mm English Goniometer, 82mm Radius
DWG NO	66522
SHEET 1 OF 2	REV 000



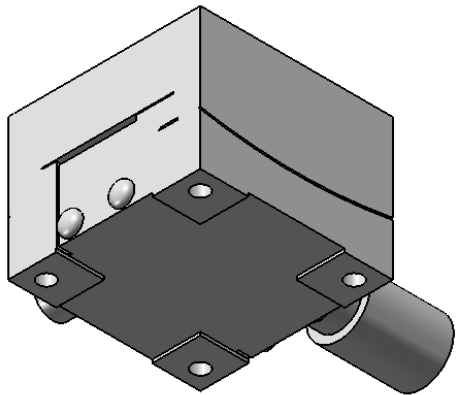
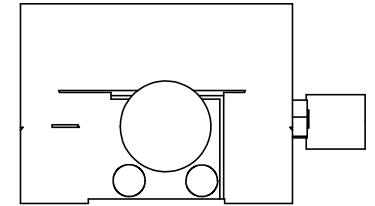
4X THRU HOLE AND C-BORE
FOR #2-56 UNC SHCS

4X 2.50mm
[.098"]

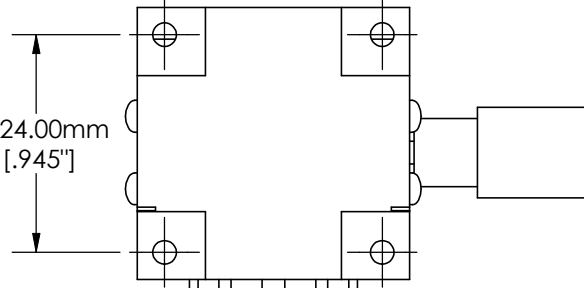
4X \varnothing 4.60mm
[.181"]

4X \varnothing 2.60mm
[.102"]

13.50mm
[.531"]



2X 24.00mm
[.945"]



\varnothing 6.00mm
[.236"]

2X 24.00mm
[.945"]

SPECIFICATIONS SUBJECT TO CHANGE WITHOUT NOTICE
DIMENSIONS ARE FOR REFERENCE ONLY
DIMENSIONS IN mm [INCHES]



Edmund Optics®

TITLE	30mm English Goniometer, 82mm Radius		
DWG NO	66522	SHEET 2 OF 2	REV 000

Enable 3D View