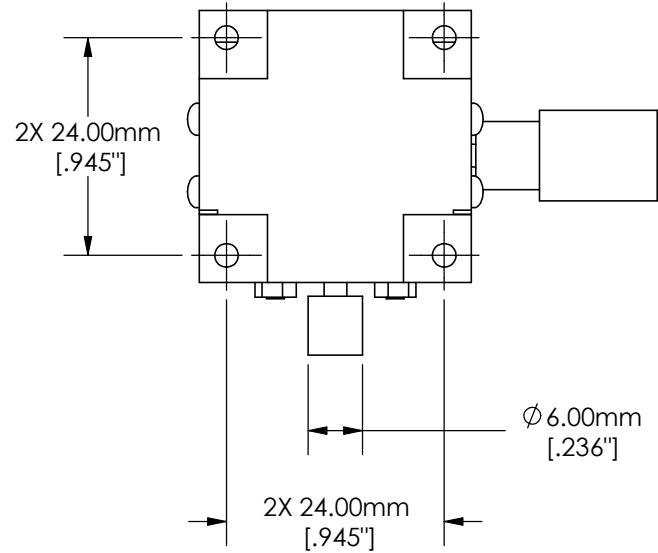
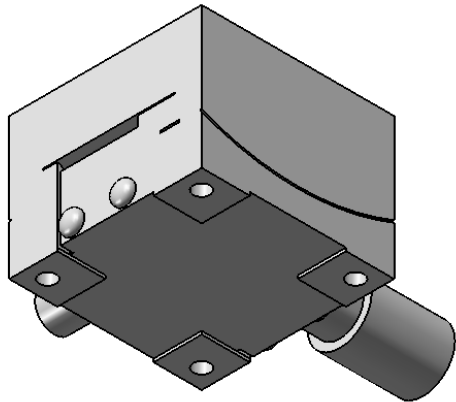
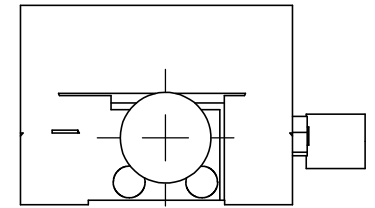
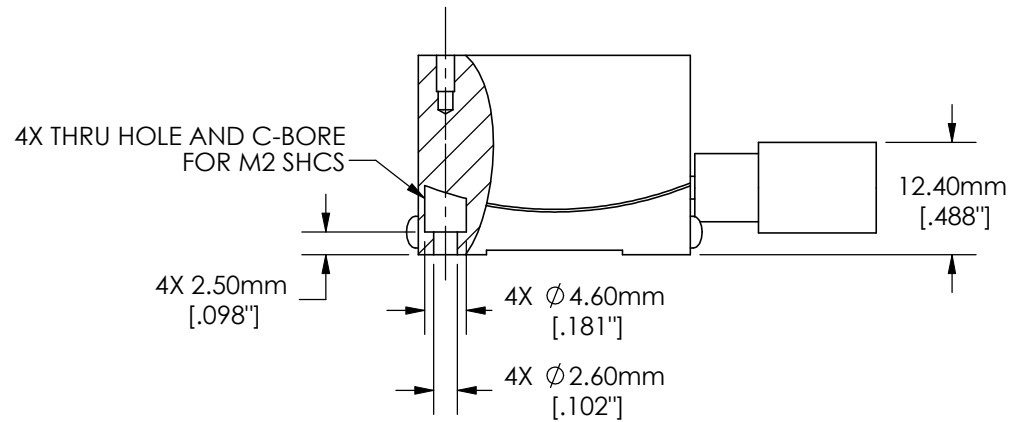
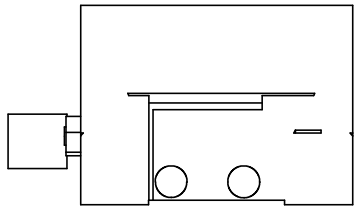


SPECIFICATIONS SUBJECT TO CHANGE WITHOUT NOTICE
 DIMENSIONS ARE FOR REFERENCE ONLY
 DIMENSIONS IN mm [INCHES]

 Edmund Optics®			
TITLE	30mm Metric Goniometer, 40mm Radius		
DWG NO	66523	SHEET 1 OF 2	REV 000



SPECIFICATIONS SUBJECT TO CHANGE WITHOUT NOTICE
 DIMENSIONS ARE FOR REFERENCE ONLY
 DIMENSIONS IN mm [INCHES]

 Edmund Optics®			
TITLE	30mm Metric Goniometer, 40mm Radius		
DWG NO	66523	SHEET 2 OF 2	REV 000

Enable 3D View