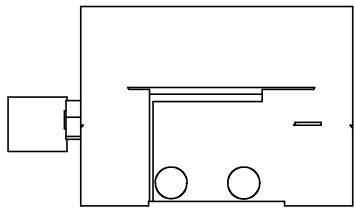


SPECIFICATIONS SUBJECT TO CHANGE WITHOUT NOTICE
 DIMENSIONS ARE FOR REFERENCE ONLY
 DIMENSIONS IN mm [INCHES]

 Edmund Optics®			
TITLE	30mm Metric Goniometer, 60mm Radius		
DWG NO	66524	SHEET 1 OF 2	REV 000



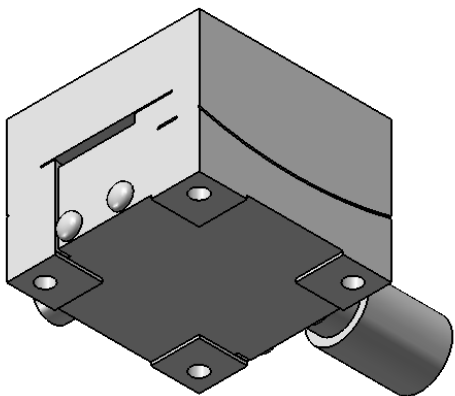
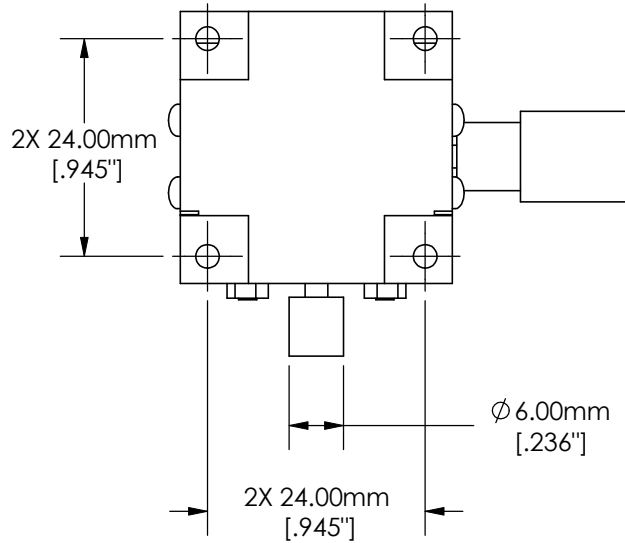
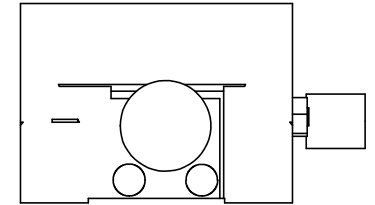
4X THRU HOLE AND C-BORE
FOR M2 SHCS

4X 2.50mm
[.098"]

4X \varnothing 4.60mm
[.181"]

4X \varnothing 2.60mm
[.102"]

13.50mm
[.531"]



Edmund Optics®

SPECIFICATIONS SUBJECT TO CHANGE WITHOUT NOTICE
DIMENSIONS ARE FOR REFERENCE ONLY
DIMENSIONS IN mm [INCHES]

TITLE	30mm Metric Goniometer, 60mm Radius		
DWG NO	66524	SHEET 2 OF 2	REV 000

Enable 3D View