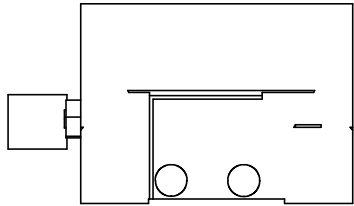


SPECIFICATIONS SUBJECT TO CHANGE WITHOUT NOTICE
 DIMENSIONS ARE FOR REFERENCE ONLY
 DIMENSIONS IN mm [INCHES]

 Edmund Optics®			
TITLE	30mm Metric Goniometer, 82mm Radius		
DWG NO	66525	SHEET 1 OF 2	REV 000



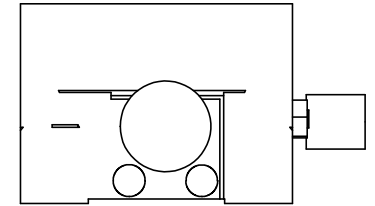
4X THRU HOLE AND C-BORE
FOR M2 SHCS

4X 2.50mm
[.098"]

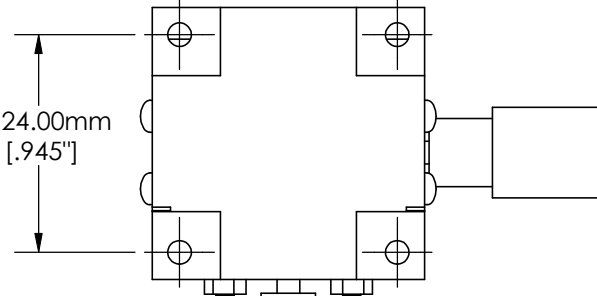
4X \varnothing 4.60mm
[.181"]

4X \varnothing 2.60mm
[.102"]

13.50mm
[.531"]

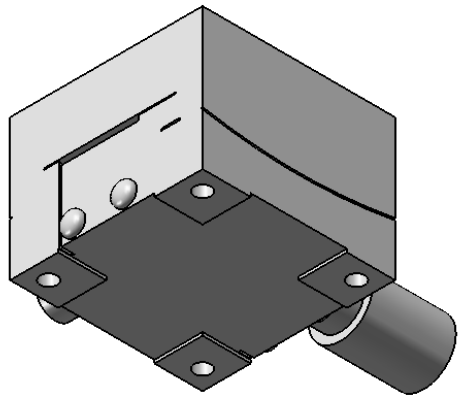


2X 24.00mm
[.945"]



\varnothing 6.00mm
[.236"]

2X 24.00mm
[.945"]



SPECIFICATIONS SUBJECT TO CHANGE WITHOUT NOTICE
DIMENSIONS ARE FOR REFERENCE ONLY
DIMENSIONS IN mm [INCHES]



Edmund Optics®

TITLE	30mm Metric Goniometer, 82mm Radius		
DWG NO	66525	SHEET 2 OF 2	REV 000

Enable 3D View