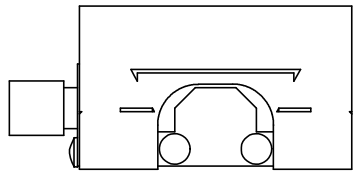
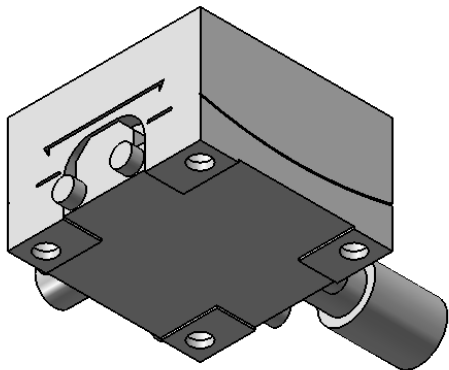
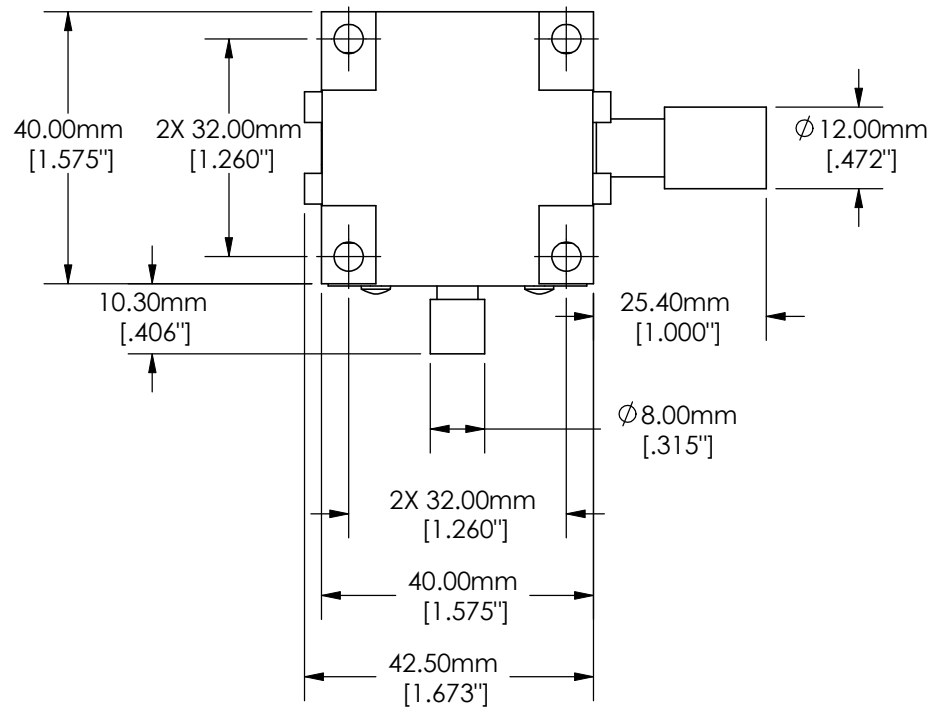
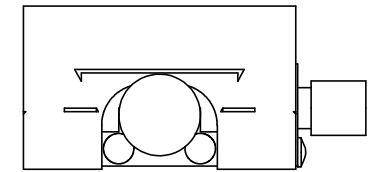
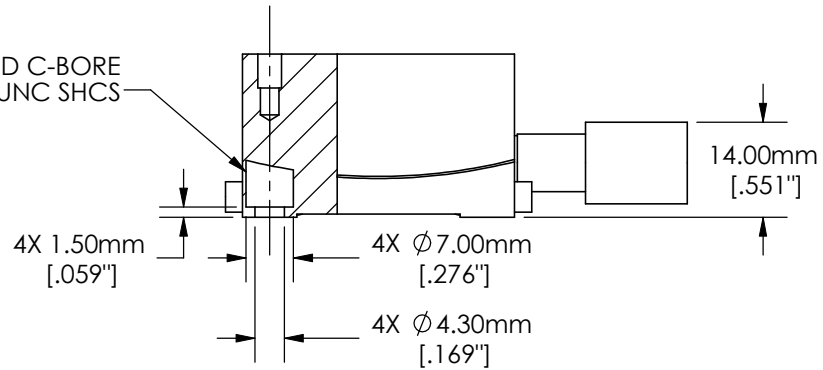


SPECIFICATIONS SUBJECT TO CHANGE WITHOUT NOTICE  
 DIMENSIONS ARE FOR REFERENCE ONLY  
 DIMENSIONS IN mm [INCHES]

 <b>Edmund Optics®</b>			
TITLE	40mm English Goniometer, 82mm Radius		
DWG NO	66527	SHEET 1 OF 2	REV 000



4X THRU HOLE AND C-BORE  
FOR #6-32 UNC SHCS



SPECIFICATIONS SUBJECT TO CHANGE WITHOUT NOTICE  
DIMENSIONS ARE FOR REFERENCE ONLY  
DIMENSIONS IN mm [INCHES]

**EO**® Edmund Optics®

TITLE	40mm English Goniometer, 82mm Radius		
DWG NO	66527	SHEET 2 OF 2	REV 000

Enable 3D View