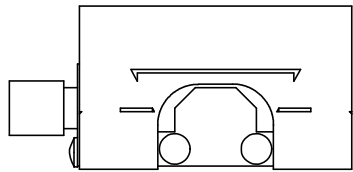


SPECIFICATIONS SUBJECT TO CHANGE WITHOUT NOTICE
DIMENSIONS ARE FOR REFERENCE ONLY

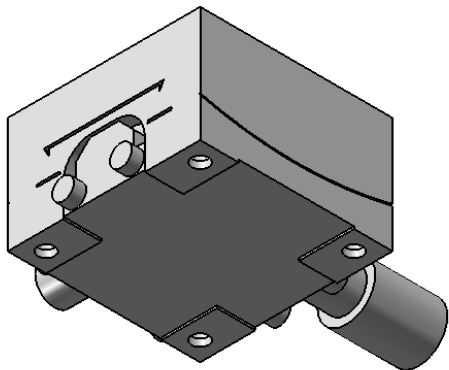
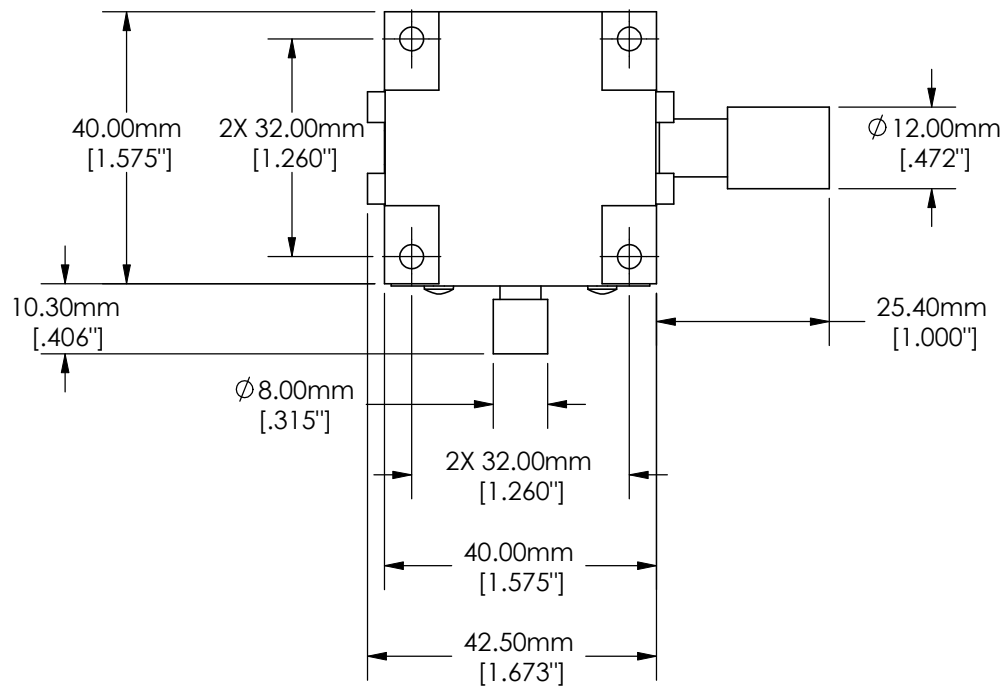
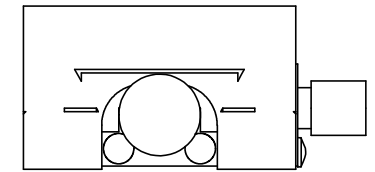
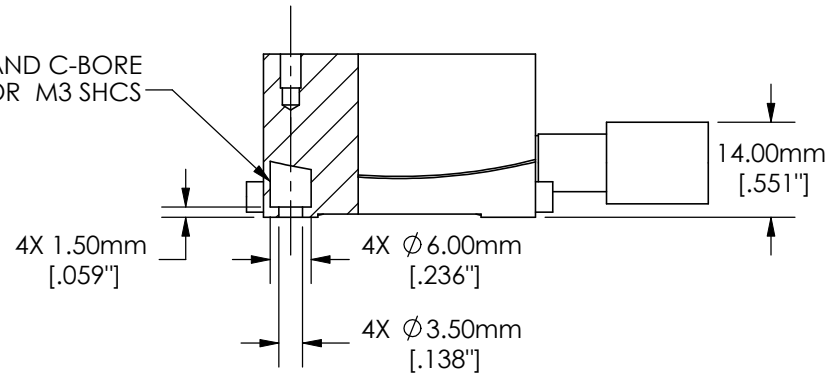


Edmund Optics®

TITLE	40mm Metric Goniometer, 82mm Radius		
DWG NO	66530	SHEET 1 OF 2	REV 000



4X THRU HOLE AND C-BORE
FOR M3 SHCS



SPECIFICATIONS SUBJECT TO CHANGE WITHOUT NOTICE
DIMENSIONS ARE FOR REFERENCE ONLY



Edmund Optics®

TITLE	40mm Metric Goniometer, 82mm Radius		
DWG NO	66530	SHEET 2 OF 2	REV 000

Enable 3D View