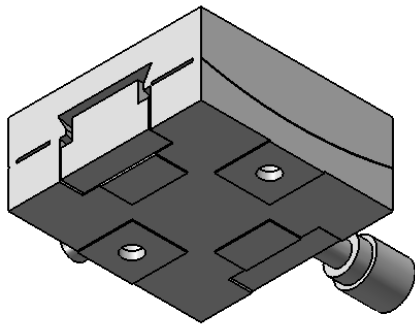
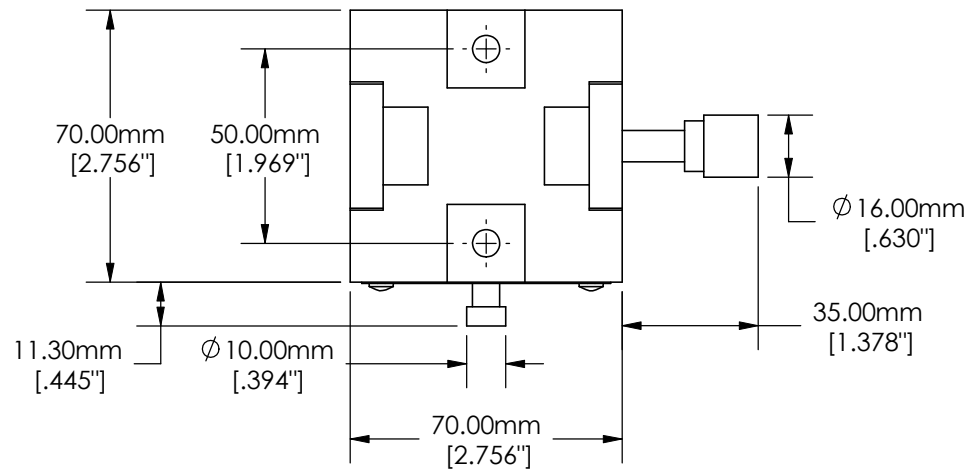
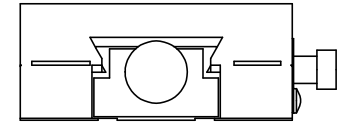
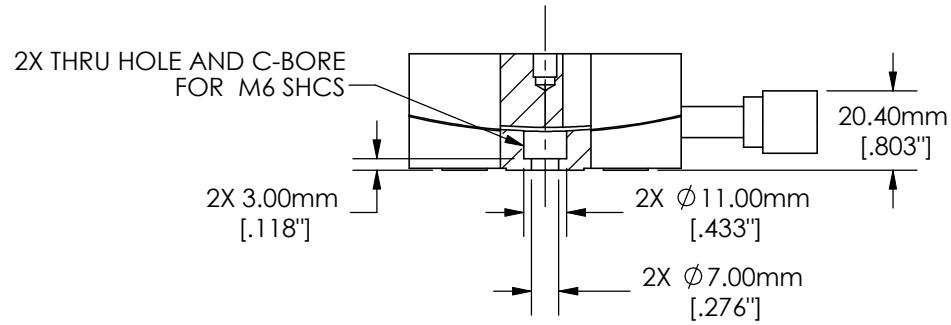
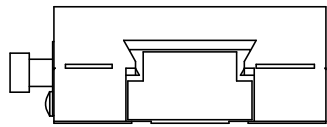


SPECIFICATIONS SUBJECT TO CHANGE WITHOUT NOTICE  
 DIMENSIONS ARE FOR REFERENCE ONLY



**Edmund Optics®**

TITLE	70mm Metric Goniometer, 150mm Radius		
DWG NO	66536	SHEET 1 OF 2	REV 000



SPECIFICATIONS SUBJECT TO CHANGE WITHOUT NOTICE  
 DIMENSIONS ARE FOR REFERENCE ONLY

 <b>Edmund Optics®</b>	
TITLE	70mm Metric Goniometer, 150mm Radius
DWG NO	66536
SHEET 2 OF 2	REV 000

Enable 3D View