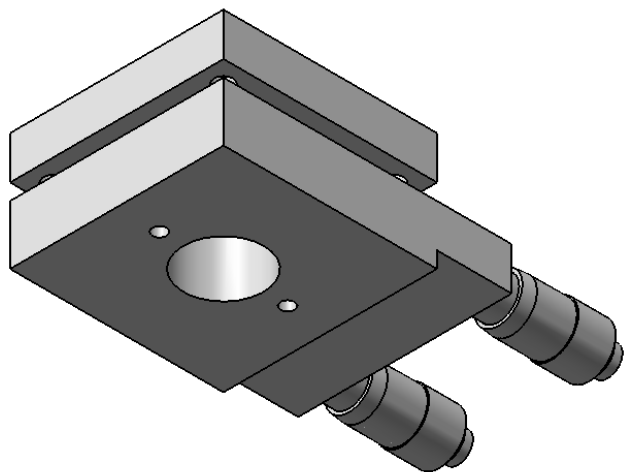
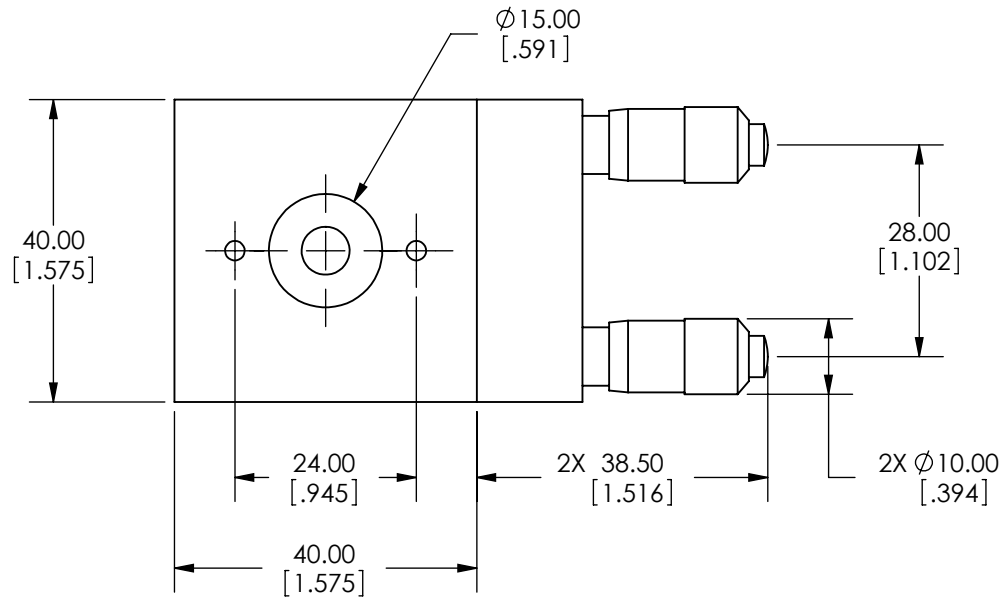
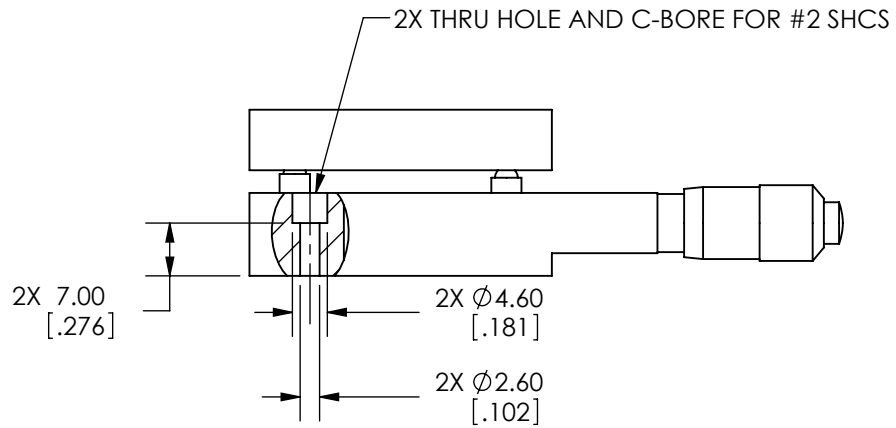
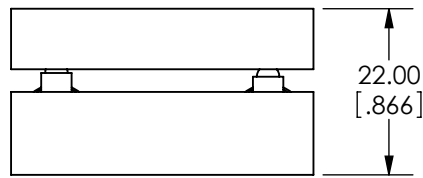


SPECIFICATIONS SUBJECT TO CHANGE WITHOUT NOTICE
 DIMENSIONS ARE FOR REFERENCE ONLY
 DIMENSIONS ARE IN mm [INCHES]



Edmund Optics

TITLE	40mm ENGLISH MICROMETER TILT STAGE		
DWG NO	66545	SHEET 1 OF 2	REV 000



SPECIFICATIONS SUBJECT TO CHANGE WITHOUT NOTICE
 DIMENSIONS ARE FOR REFERENCE ONLY
 DIMENSIONS ARE IN mm [INCHES]



Edmund Optics

TITLE	40mm ENGLISH MICROMETER TILT STAGE		
DWG NO	66545	SHEET 2 OF 2	REV 000

Enable 3D View