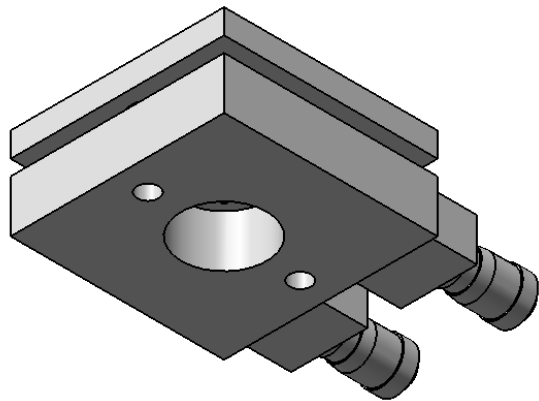
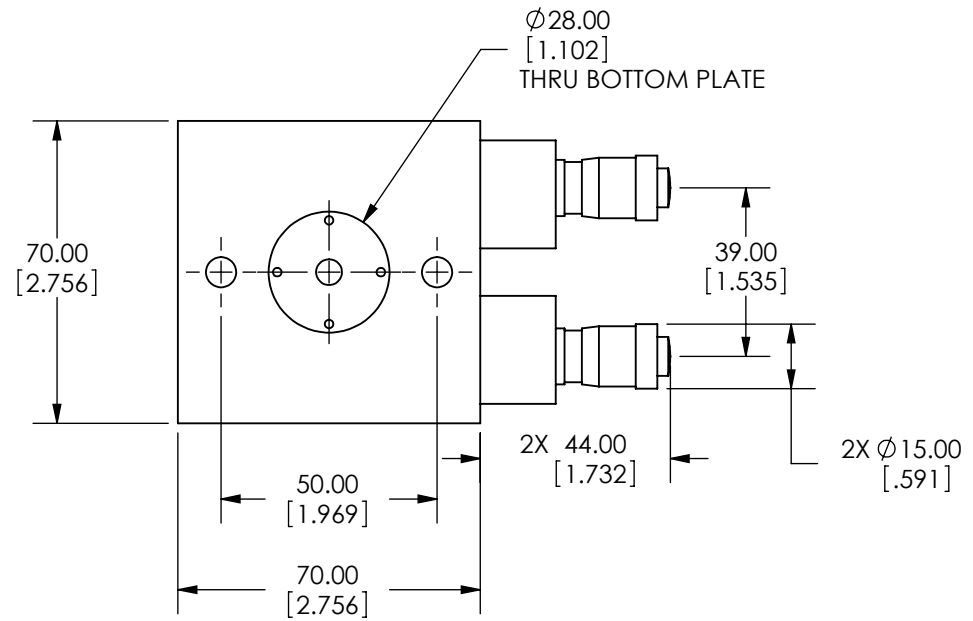
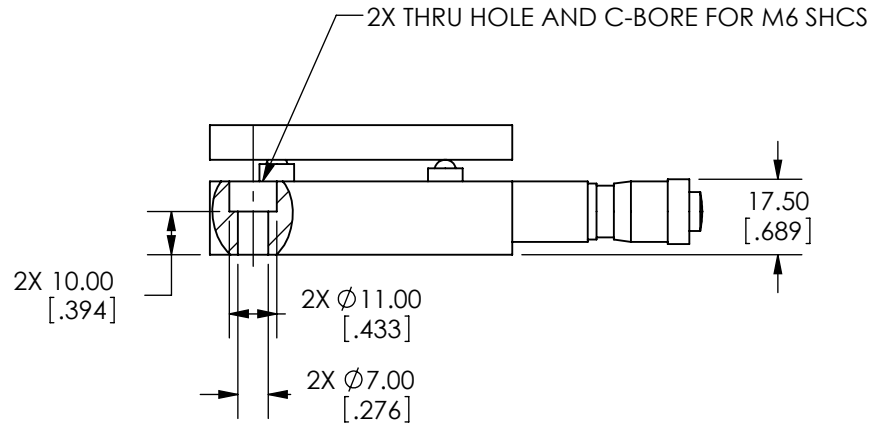
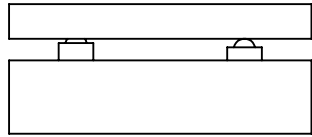


SPECIFICATIONS SUBJECT TO CHANGE WITHOUT NOTICE
 DIMENSIONS ARE FOR REFERENCE ONLY
 DIMENSIONS ARE IN mm [INCHES]



Edmund Optics

TITLE	70mm METRIC MICROMETER TILT STAGE		
DWG NO	66551	SHEET 1 OF 2	REV 000



SPECIFICATIONS SUBJECT TO CHANGE WITHOUT NOTICE
 DIMENSIONS ARE FOR REFERENCE ONLY
 DIMENSIONS ARE IN mm [INCHES]

 Edmund Optics			
TITLE	70mm METRIC MICROMETER TILT STAGE		
DWG NO	66551	SHEET 2 OF 2	REV 000

Enable 3D View