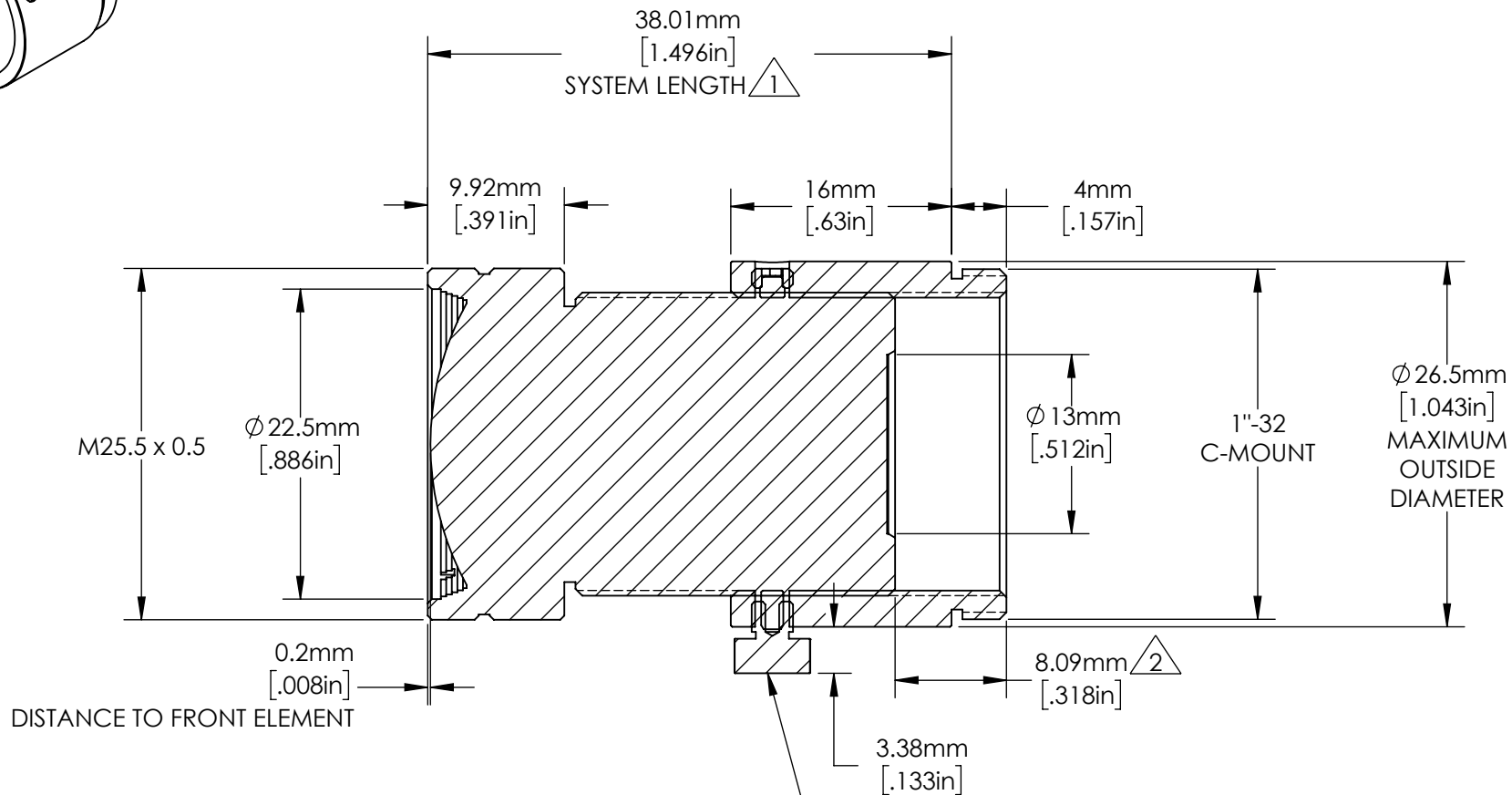


(2) M3 SET SCREWS WITH NYLON TIP
FOR OPTIONAL FOCUS LOCKING
@ 120° FROM LOCK KNOB



NOTES:

① @ 165mm WORKING DISTANCE. MEASURES 30.1mm[1.185in] @ INFINITY.

② @ 165mm WORKING DISTANCE. MEASURES 0.18mm[.007in] @ INFINITY.

3. FILTER THREAD: M30.5 x 0.5 WITH REQUIRED ADAPTER #89-942

ALIGNED SECTION VIEW

**FOR INFORMATION ONLY:
DO NOT MANUFACTURE
PARTS TO THIS DRAWING**

SPECIFICATIONS SUBJECT TO CHANGE
WITHOUT NOTICE.
DIMENSIONS ARE FOR REFERENCE ONLY.
FOR DETAILED SPECIFICATIONS,
PLEASE REFER TO THE SPEC SHEET.



Edmund Optics®

TITLE	35mm, f/1.65 Ci Series Fixed Focal Length Lens	
DWG NO	85362	
		SHEET 1 OF 1