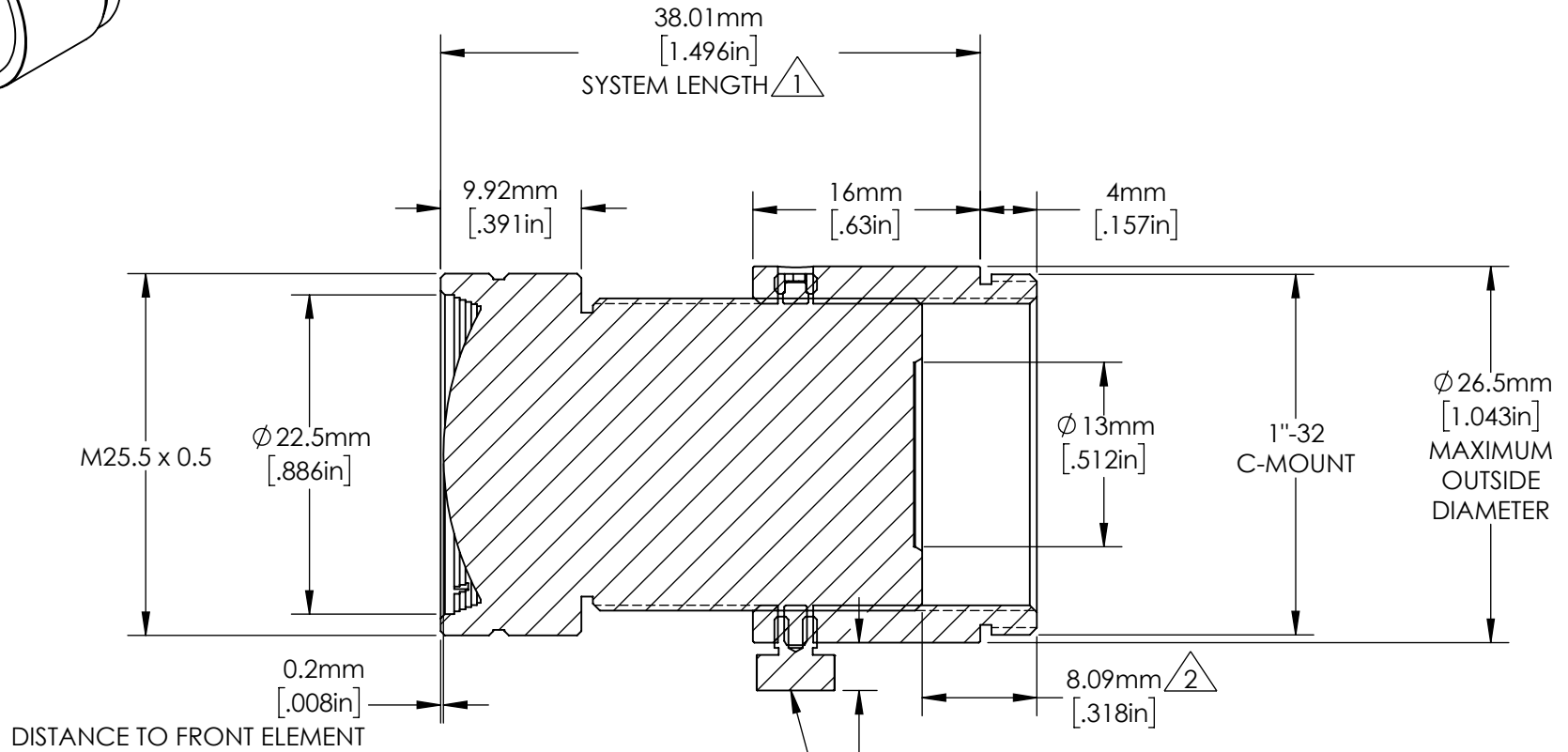


(2) M3 SET SCREWS WITH NYLON TIP  
FOR OPTIONAL FOCUS LOCKING  
@ 120° FROM LOCK KNOB



NOTES:

$\triangle 1.$  @ 165mm WORKING DISTANCE. MEASURES 30.1mm[1.185in] @ INFINITY.

$\triangle 2.$  @ 165mm WORKING DISTANCE. MEASURES 0.18mm[.007in] @ INFINITY.

3. FILTER THREAD: M30.5 x 0.5 WITH REQUIRED ADAPTER #89-942

ALIGNED SECTION VIEW

**FOR INFORMATION ONLY:  
DO NOT MANUFACTURE  
PARTS TO THIS DRAWING**

SPECIFICATIONS SUBJECT TO CHANGE WITHOUT NOTICE. DIMENSIONS ARE FOR REFERENCE ONLY. FOR DETAILED SPECIFICATIONS, PLEASE REFER TO THE SPEC SHEET.



Edmund Optics®

TITLE	35mm, f/4 Ci Series Fixed Focal Length Lens	
DWG NO	85365	
		SHEET 1 OF 1