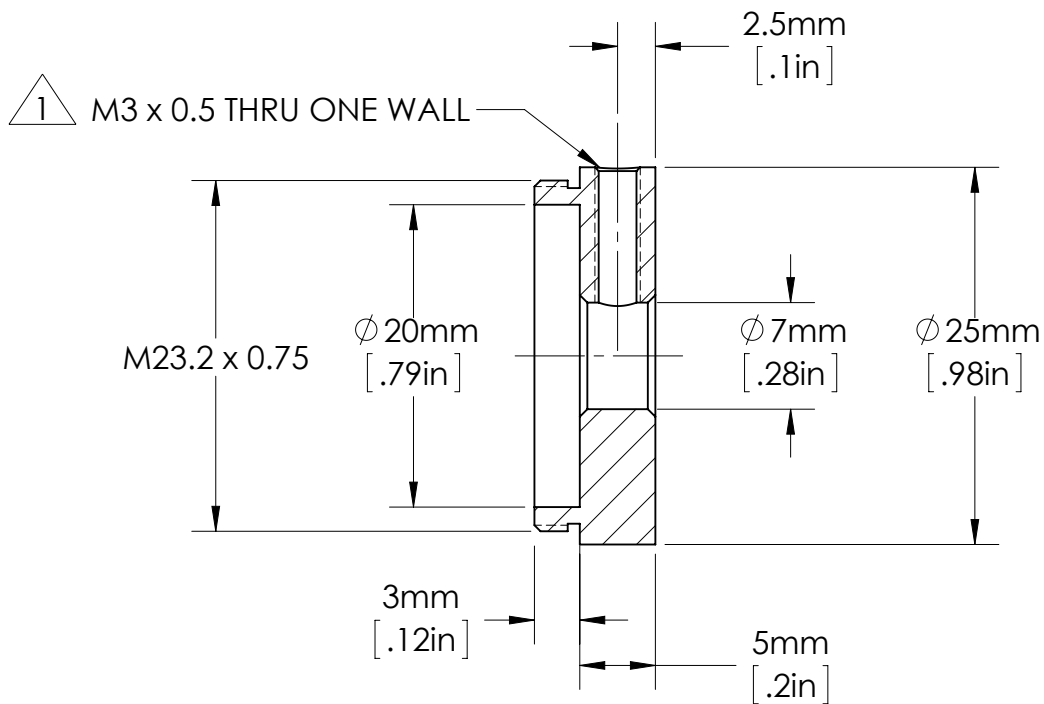
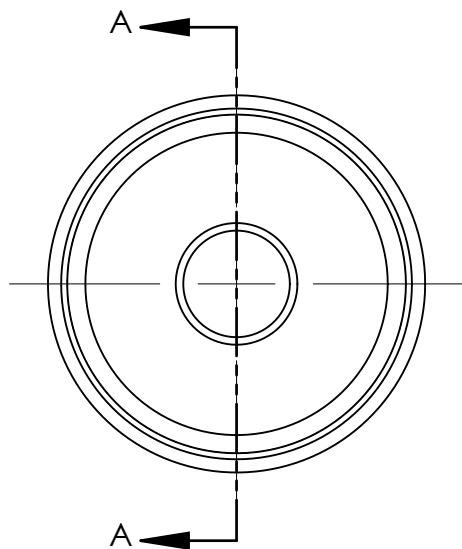


**FOR INFORMATION ONLY:  
DO NOT MANUFACTURE  
PARTS TO THIS DRAWING**

SPECIFICATIONS SUBJECT TO CHANGE WITHOUT NOTICE  
DIMENSIONS ARE FOR REFERENCE ONLY  
DIMENSIONS ARE IN mm [INCHES]



SECTION A-A

NOTES:

1. INCLUDES 1 M3 x 6mm LONG, FLAT POINT SET SCREW. ORDER ADDITIONAL PACKAGES OF 3 USING SN 86579.



**Edmund Optics®**

TITLE	25mm Cage Simple Optic Mount, 7mm Dia x 5mm Length				
DWG NO	85535	MATERIAL	BLACK ANODIZED ALUMINUM	SHEET 1 OF 1	REV 000