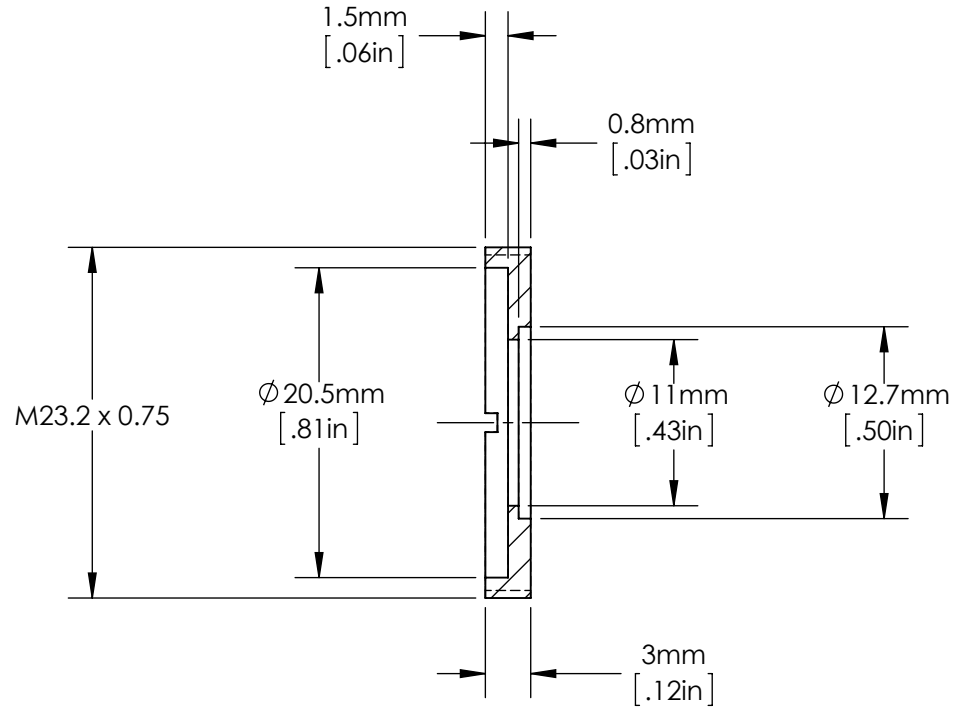
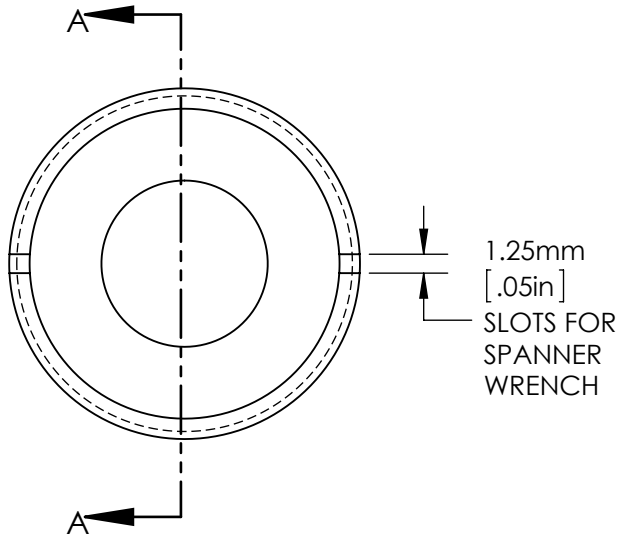
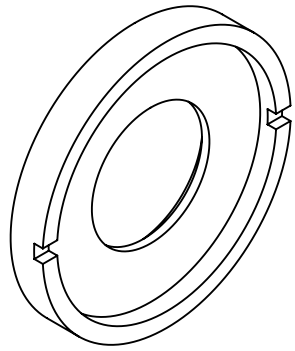


SPECIFICATIONS SUBJECT TO CHANGE WITHOUT NOTICE
 DIMENSIONS ARE FOR REFERENCE ONLY
 DIMENSIONS ARE IN mm [INCHES]



SECTION A-A

NOTES:

1. RETAINING RINGS SOLD IN PAIRS.



TITLE	M23.2 Retaining Ring Pair for 12.7mm Diameter Optics				
DWG NO	85560	MATERIAL	BLACK ANODIZED ALUMINUM	SHEET 1 OF 1	REV 000