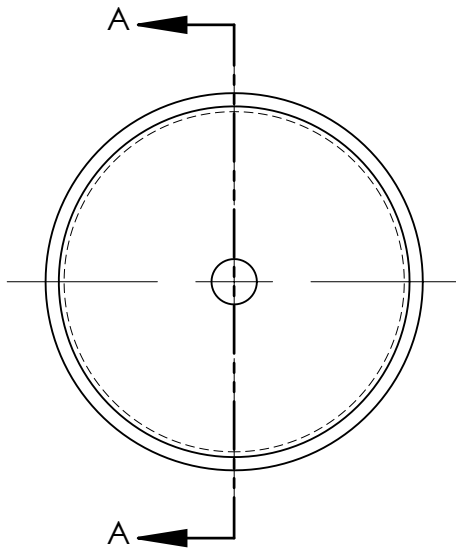
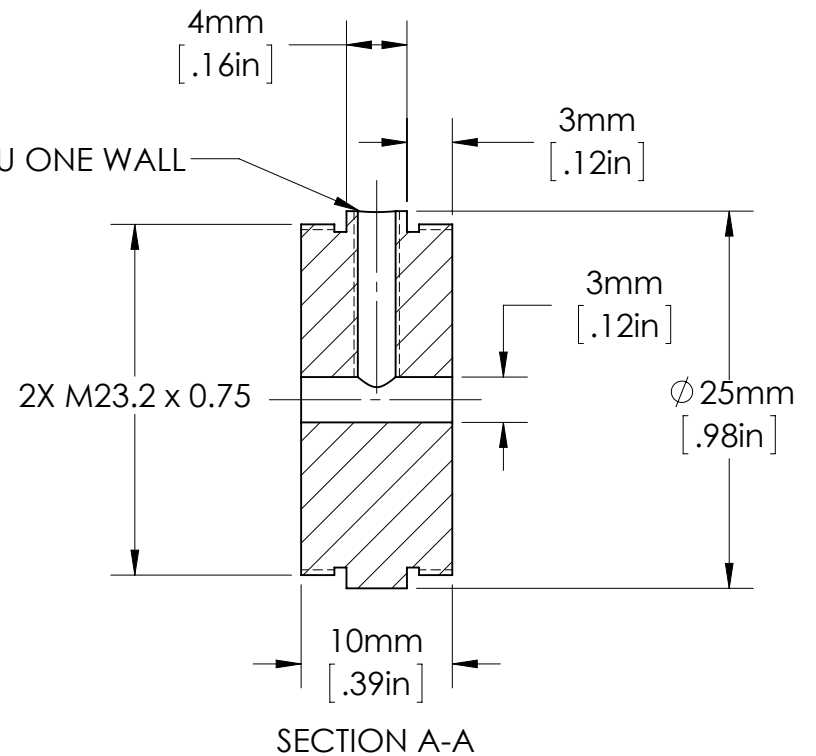


**FOR INFORMATION ONLY:
DO NOT MANUFACTURE
PARTS TO THIS DRAWING**

SPECIFICATIONS SUBJECT TO CHANGE WITHOUT NOTICE
DIMENSIONS ARE FOR REFERENCE ONLY
DIMENSIONS ARE IN mm [INCHES]



1 M3 x 0.5 THRU ONE WALL



NOTES:

1. INCLUDES 1 M3 x 6mm LONG, FLAT POINT SET SCREW. ORDER ADDITIONAL PACKAGES OF 3 USING SN 86579.



TITLE	25mm Cage Double Male Simple Optic Mount, 3mm Dia				
DWG NO	85570	MATERIAL	BLACK ANODIZED ALUMINUM	SHEET 1 OF 1	REV 000