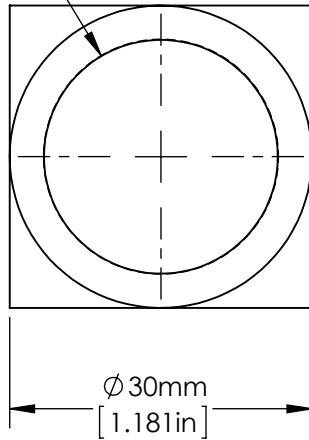
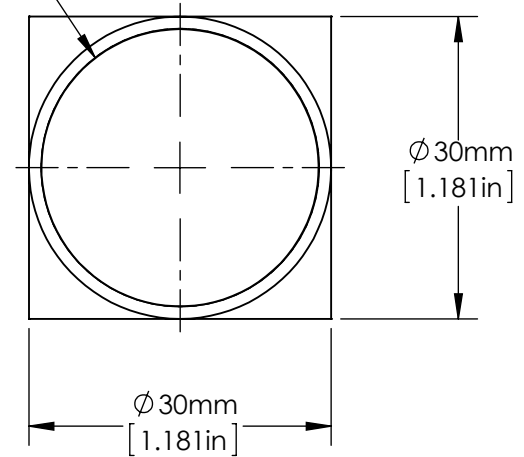


M23.2 x 0.75
THRU ONE WALL
ONE ON THIS FACE
ONE ON OPPOSITE FACE



M27.5 x 0.75
THRU ONE WALL
ON 4 FACES



SPECIFICATIONS SUBJECT TO CHANGE WITHOUT NOTICE
DIMENSIONS ARE FOR REFERENCE ONLY
DIMENSIONS ARE IN mm [INCHES]



TITLE	Standard System Tube Sphere (2) M23.2 Ports, (4) M27.5 Ports				
DWG NO	85591	MATERIAL	BLACK ANODIZED ALUMINUM	SHEET 1 OF 1	REV 01