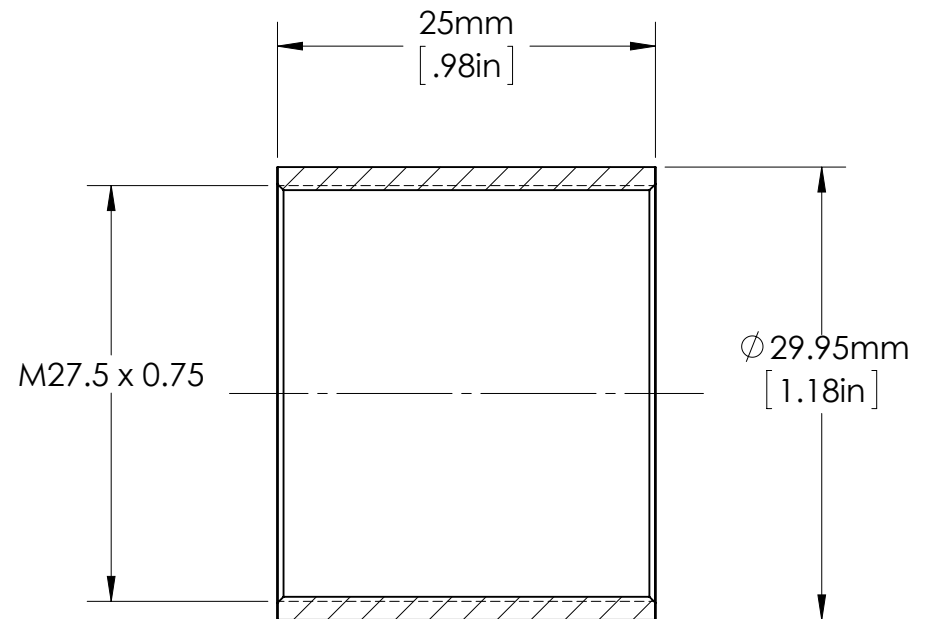
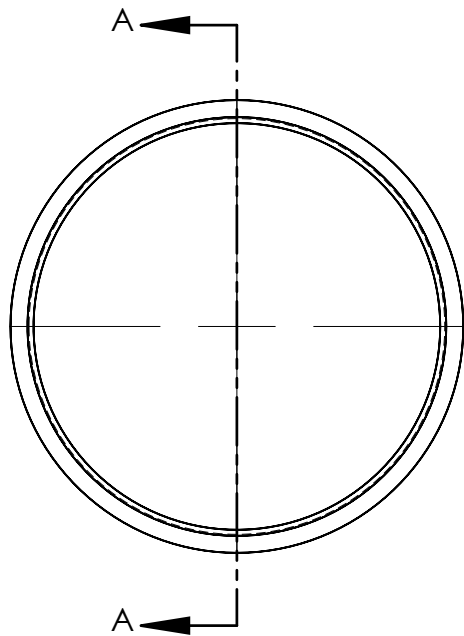
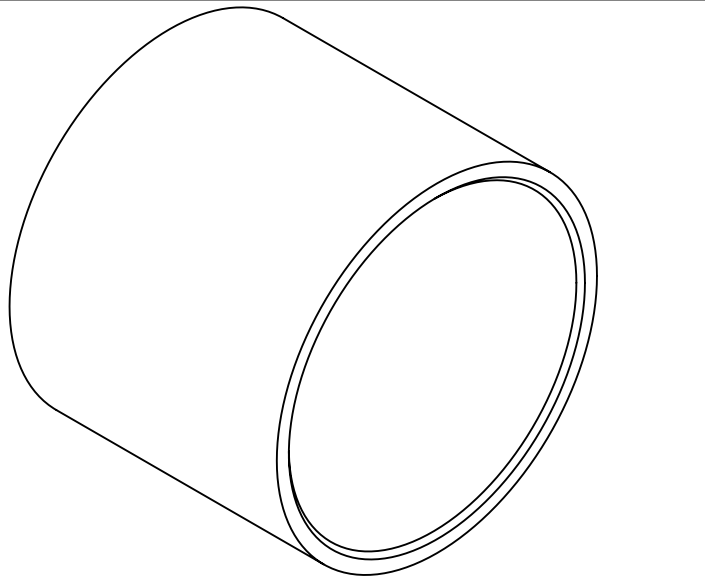


SPECIFICATIONS SUBJECT TO CHANGE WITHOUT NOTICE  
 DIMENSIONS ARE FOR REFERENCE ONLY  
 DIMENSIONS ARE IN mm [INCHES]



SECTION A-A



**Edmund Optics®**

TITLE	Cage Extension Tube 30mm Diameter x 25mm Length				
DWG NO	85594	MATERIAL	BLACK ANODIZED ALUMINUM	SHEET 1 OF 1	REV 000