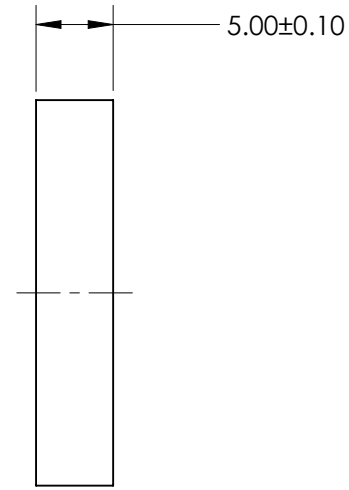
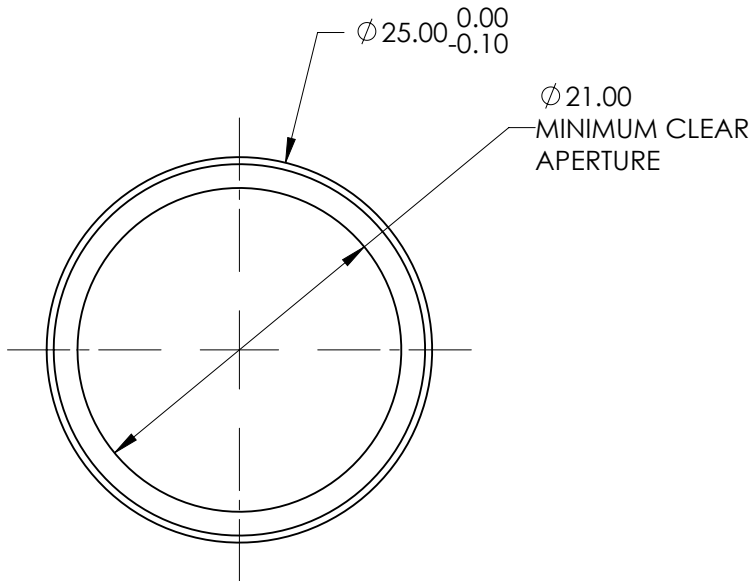
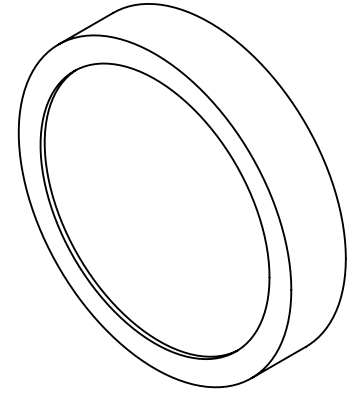
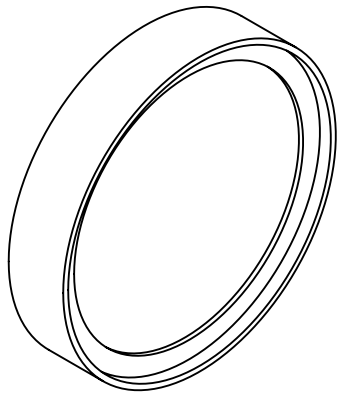



**FOR INFORMATION ONLY:  
DO NOT MANUFACTURE  
PARTS TO THIS DRAWING**



| SPECIFICATION              | VALUE                                   |
|----------------------------|---|
| CENTER WAVELENGTH (CWL)    | 1075nm $\pm$ 5nm                        |
| FULL WIDTH HALF MAX (FWHM) | 50nm $\pm$ 5nm                          |
| MINIMUM TRANSMISSION       | >90%                                    |
| BLOCKING                   | OD > 4.0 FROM 200 TO 1500nm             |
| SURFACE QUALITY            | 80 - 50                                 |
| CONSTRUCTION               | MOUNTED IN BLACK ANODIZED ALUMINUM RING |
| COATING TYPE               | HARD COATED                             |
| DURABILITY                 | MIL-C-48497A, SECT. 3.4.1               |
| ENVIRONMENTAL              | MIL-STD-810F, SECT. 507.4               |

SPECIFICATIONS SUBJECT TO CHANGE WITHOUT NOTICE  
DIMENSIONS ARE FOR REFERENCE ONLY

|                     |    |   |  |
|---------------------|----|---|--|
| EFL<br>(AT 587.6nm) | NA |  <b>Edmund Optics®</b> |  |
| BFL<br>(AT 587.6nm) | NA | TITLE   | 1075nm CWL, 25mm Dia. Hard Coated OD4 50nm Bandpass Filter |
| ALL DIMS IN         | mm | DWG NO  | 87861  |
|                     |    |   | SHEET<br>1 OF 1  |