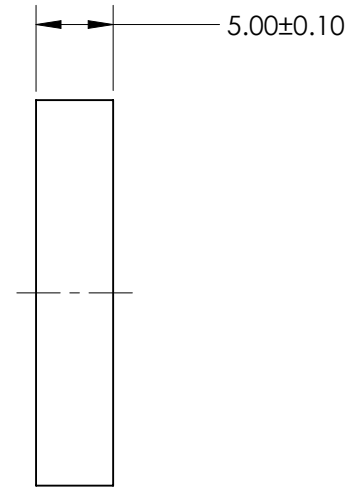
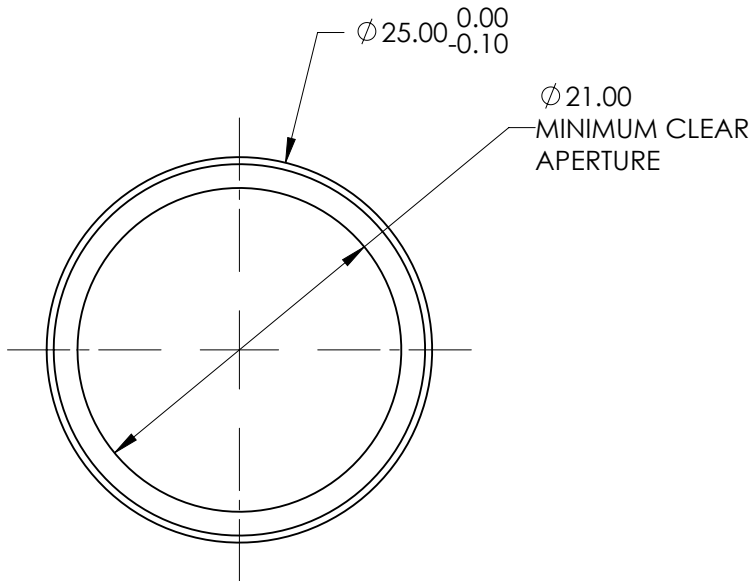
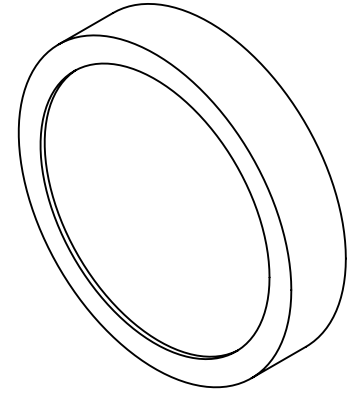
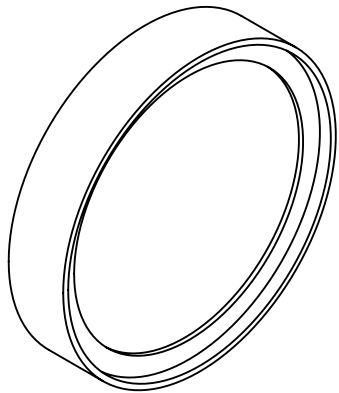


**FOR INFORMATION ONLY:
DO NOT MANUFACTURE
PARTS TO THIS DRAWING**



| SPECIFICATION | VALUE |
|----------------------------|---|
| CENTER WAVELENGTH (CWL) | 1325nm \pm 5nm |
| FULL WIDTH HALF MAX (FWHM) | 50nm \pm 5nm |
| MINIMUM TRANSMISSION | >90% |
| BLOCKING | OD > 4.0 FROM 200 TO 1800nm |
| SURFACE QUALITY | 80 - 50 |
| CONSTRUCTION | MOUNTED IN BLACK ANODIZED ALUMINUM RING |
| COATING TYPE | HARD COATED |
| DURABILITY | MIL-C-48497A, SECT. 3.4.1 |
| ENVIRONMENTAL | MIL-STD-810F, SECT. 507.4 |

SPECIFICATIONS SUBJECT TO CHANGE WITHOUT NOTICE
DIMENSIONS ARE FOR REFERENCE ONLY

| | | | |
|---------------------|----|---|--|
| EFL (AT 587.6nm) | NA |  Edmund Optics® | |
| BFL (AT 587.6nm) | NA | TITLE | 1325nm CWL, 25mm Dia. Hard Coated OD4 50nm Bandpass Filter |
| ALL DIMS IN | mm | DWG NO | 87866 |
| | | | SHEET 1 OF 1 |