

NOTES:

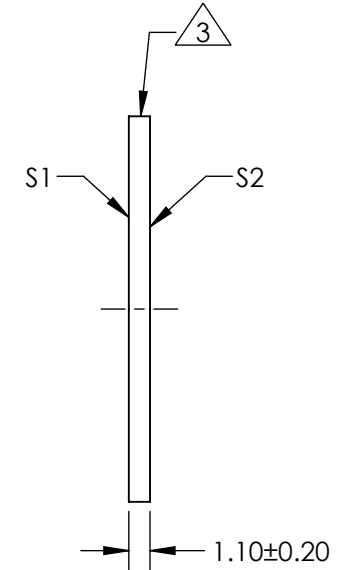
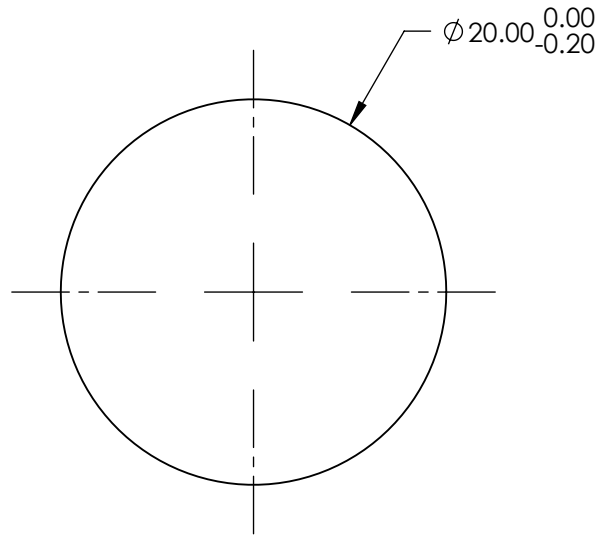
1. SUBSTRATE MATERIAL: GRADE A FINE ANNEALED  
SCHOTT: BOROFLOAT® 472/657

2. COATING (APPLY ACROSS CLEAR APERTURE)  
SPECIFICATIONS APPLY FOR 45° AOI

S1: T(AVG) > 85% FROM 400-690nm  
R(AVG) > 95% FROM 750-1125nm  
R(ABS) > 90% FROM 800-1050nm


S2: R(AVG) < 1.0% FROM 400-700nm

3. EDGES: CUT, SHARP EDGES REMOVED



**FOR INFORMATION ONLY:  
DO NOT MANUFACTURE  
PARTS TO THIS DRAWING**

SPECIFICATIONS SUBJECT TO CHANGE WITHOUT NOTICE  
DIMENSIONS ARE FOR REFERENCE ONLY

	S1	S2	EFL (AT 587.6nm)	NA	 <b>Edmund Optics®</b>		
SHAPE	PLANO	PLANO	BFL (AT 587.6nm)	NA			TITLE
SURFACE ACCURACY AT 632.8nm (P-V)	4-6 WAVES PER INCH	4-6 WAVES PER INCH	ALL DIMS IN	mm	DWG NO	64465	
SURFACE QUALITY	80 - 50	80 - 50					SHEET 1 OF 1
MIN CLEAR APERTURE	Ø 19.00	Ø 19.00					