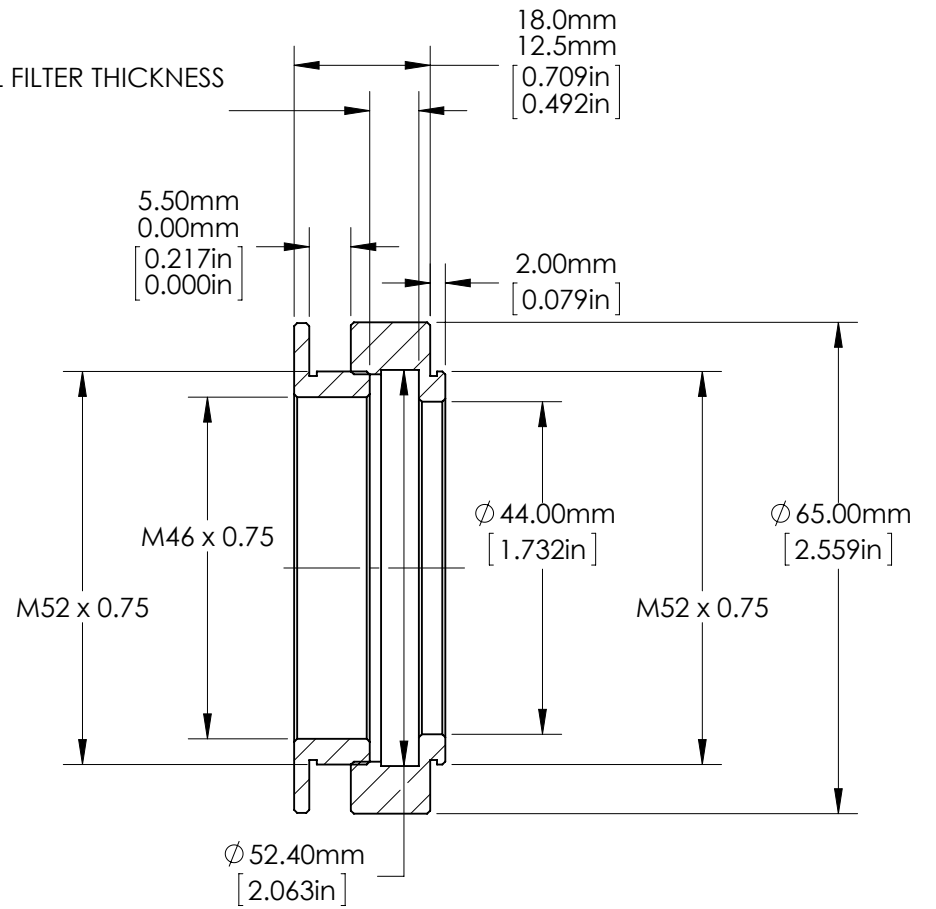


6.50mm
1.00mm
[0.256in]
[0.039in] NOMINAL FILTER THICKNESS



SECTION A-A

 **Edmund Optics®**

TITLE	2" Diameter Threaded Filter Holder for Imaging Lenses		
DWG NO	83340	MATERIAL	BLACK ANODIZED ALUMINUM
			SHEET 1 OF 1

Enable 3D View