

NOTES:

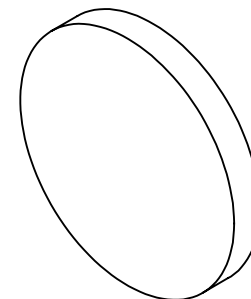
1. SUBSTRATE: UV GRADE FUSED SILICA
2. SURFACE S2 TO BE PARALLEL WITH SURFACE S1 TO WITHIN <30 arcsec
3. COATING (APPLY ACROSS COATING APERTURE)

DURABILITY: MIL-C-48497A, SECT. 3.4.1

PERFORMANCE SPECIFICATIONS @ 0° AOI

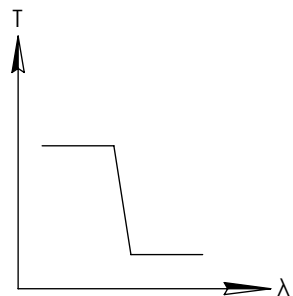
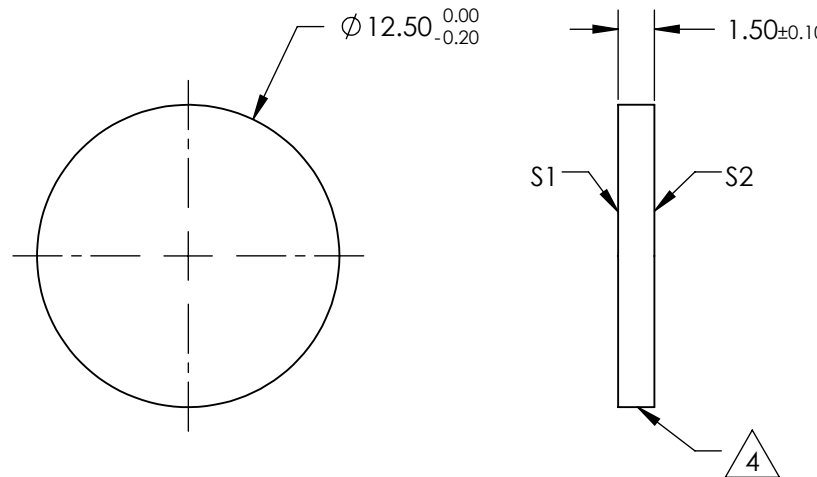
T(avg): ≥91% FROM 445 - 910nm
 T(avg): ≤ 0.01% FROM 955 - 1290nm
 CUT-OFF SLOPE: <1%
 CUT-OFF WAVELENGTH: 925nm ±1%

**FOR INFORMATION ONLY:
 DO NOT MANUFACTURE
 PARTS TO THIS DRAWING**



4. FINE GRIND SURFACE

5. POWER, IRREGULARITY, AND SURFACE QUALITY SPECIFICATIONS APPLY ACROSS CLEAR APERTURE
6. TRANSMITTED WAVEFRONT DISTORTION RMS@ 632.8nm ≤ ¼ λ
7. ROHS COMPLIANT

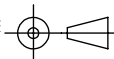


SHORTPASS FILTER

SPECIFICATIONS SUBJECT TO CHANGE WITHOUT NOTICE
 DIMENSIONS ARE FOR REFERENCE ONLY

| | S1 | S2 |
|-----------------|----------------------|----------------------|
| SHAPE | PLANO | PLANO |
| SURFACE QUALITY | 40-20 | 40-20 |
| CLEAR APERTURE | >80% | >80% |
| BEVEL | PROTECTIVE AS NEEDED | PROTECTIVE AS NEEDED |

THIRD ANGLE PROJECTION



ALL DIMS IN

mm

EO® Edmund Optics®

TITLE

OD4, Ø12.5mm, 925nm, SHORTPASS FILTER

DWG NO

86099

SHEET
1 OF 1