

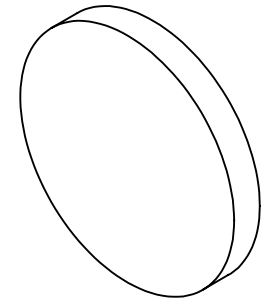
NOTES:

1. SUBSTRATE: UV GRADE FUSED SILICA
2. COATING (APPLY ACROSS COATING APERTURE)

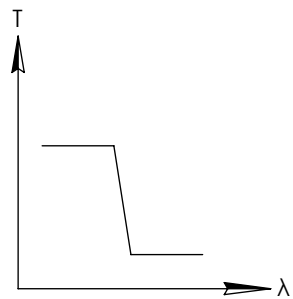
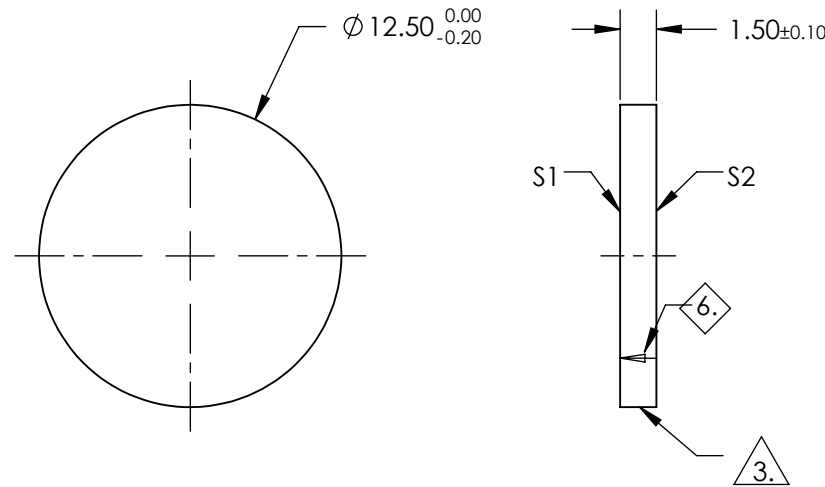
DURABILITY: MIL-C-48497A, SECT. 3.4.1

PERFORMANCE SPECIFICATIONS @ 0° AOI  
 T(AVG): ≥91% FROM 465 - 960nm  
 T(AVG): ≤ 0.01 % FROM 1005 - 1365nm  
 CUT-OFF SLOPE: <1%  
 CUT-OFF WAVELENGTH: 975nm ±1%

**FOR INFORMATION ONLY:  
 DO NOT MANUFACTURE  
 PARTS TO THIS DRAWING**



3. FINE GRIND SURFACE
4. TRANSMITTED WAVEFRONT DISTORTION RMS @ 632.8nm ≤ ¼ λ
5. ROHS COMPLIANT
6. ARROW POINTS TOWARDS THE FILTER COATED SURFACE

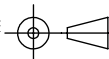


SHORTPASS FILTER

SPECIFICATIONS SUBJECT TO CHANGE WITHOUT NOTICE  
 DIMENSIONS ARE FOR REFERENCE ONLY

	S1	S2
SHAPE	PLANO	PLANO
SURFACE QUALITY	60-40	60-40
CLEAR APERTURE	>80%	>80%
BEVEL	PROTECTIVE AS NEEDED	PROTECTIVE AS NEEDED

THIRD ANGLE PROJECTION



ALL DIMS IN

mm

**EO**® **Edmund Optics**®

TITLE

975nm 12.5mm Diameter, OD 4 Shortpass Filter

DWG NO

86100

SHEET  
1 OF 1