

NOTES:

**FOR INFORMATION ONLY:
DO NOT MANUFACTURE
PARTS TO THIS DRAWING**

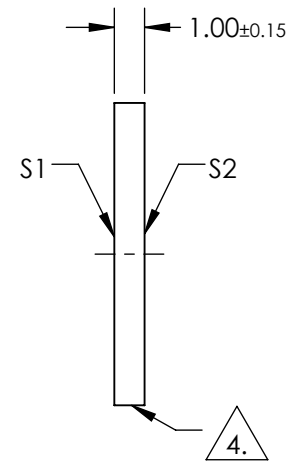
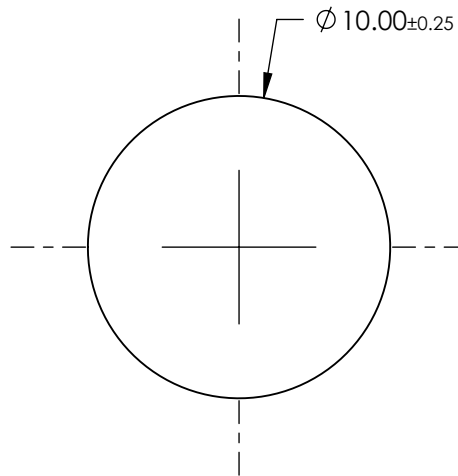
1. SUBSTRATE
SAPPHIRE (Al₂O₃)
2. SURFACE S2 TO BE PARALLEL WITH SURFACE S1 TO WITHIN 3.5 ARCMIN
3. COATING (APPLY ACROSS CLEAR APERTURE)

S1: NONE

S2: NONE

 FINE GRIND SURFACE

4. POWER, IRREGULARITY, AND SURFACE QUALITY SPECIFICATIONS
APPLY ACROSS CLEAR APERTURE
5. ROHS COMPLIANT



	S1	S2
SHAPE	PLANO	PLANO
CLEAR APERTURE	$\varnothing 9$	$\varnothing 9$
SURFACE FLATNESS	2λ	2λ
SURFACE ROUGHNESS	0.1 MICRONS PER INCH	0.1 MICRONS PER INCH
SURFACE QUALITY	80-50	80-50
BIREFRINGENCE ($n_o - n_e$)	0.008	0.008
BEVEL	PROTECTIVE AS NEEDED	PROTECTIVE AS NEEDED

SPECIFICATIONS SUBJECT TO CHANGE WITHOUT NOTICE
DIMENSIONS ARE FOR REFERENCE ONLY

 **Edmund Optics®**

THIRD ANGLE
PROJECTION 

TITLE

10mm DIAMETER UNCOATED, SAPPHIRE
WINDOW

ALL DIMS IN

mm

DWG NO

43366

SHEET
1 OF 1