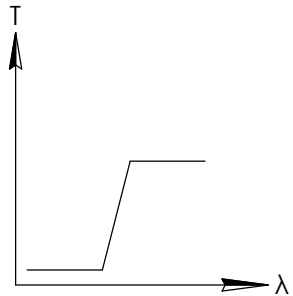
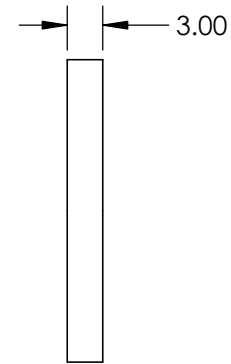
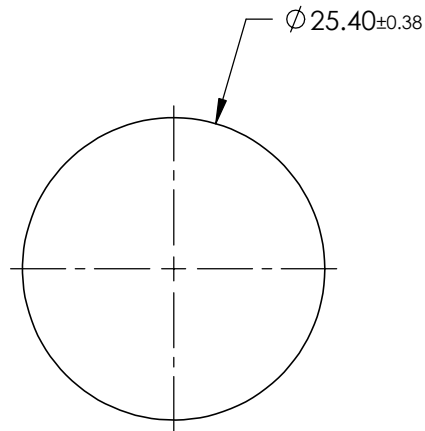
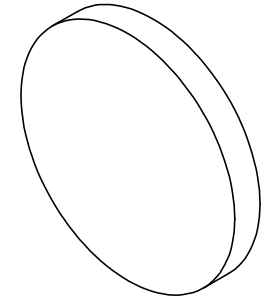


**FOR INFORMATION ONLY:
DO NOT MANUFACTURE
PARTS TO THIS DRAWING**



LONGPASS FILTER

SPECIFICATIONS SUBJECT TO CHANGE WITHOUT NOTICE
DIMENSIONS ARE FOR REFERENCE ONLY

REV. A	VALUE
SHAPE	PLANO
SPECTRAL TRANSMITTANCE $\pm_{ip}(\%)$	96
PASSBAND LIMIT λ_{p1} (nm)	780
CUT-OFF POSITION λ_c (nm)	695 \pm 6
STOPBAND LIMIT λ_s (nm)	610
WAVELENGTH	IR
BEVEL	PROTECTIVE AS NEEDED



ALL DIMS IN

mm

TITLE

$\varnothing 25.4\text{mm}$, RG-695 LONGPASS FILTER

DWG NO

32756

SHEET
1 OF 1