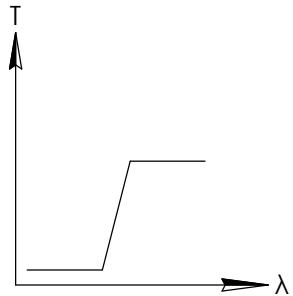
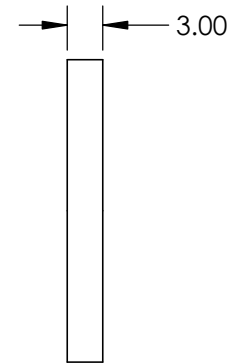
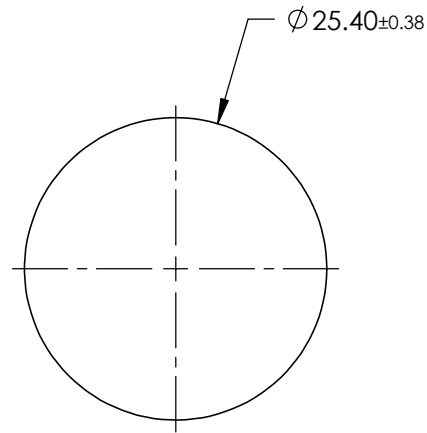
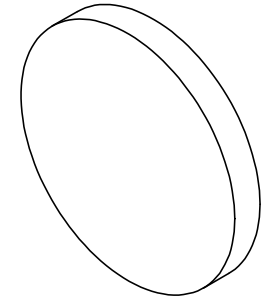


**FOR INFORMATION ONLY:
DO NOT MANUFACTURE
PARTS TO THIS DRAWING**



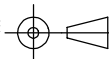
LONGPASS FILTER

SPECIFICATIONS SUBJECT TO CHANGE WITHOUT NOTICE
DIMENSIONS ARE FOR REFERENCE ONLY

REV. A	VALUE
SHAPE	PLANO
SPECTRAL TRANSMITTANCE $\pm_{ip}(\%)$	96
PASSBAND LIMIT λ_{p1} (nm)	750
CUT-OFF POSITION λ_c (nm)	665 \pm 6
STOPBAND LIMIT λ_s (nm)	580
WAVELENGTH	VIS
BEVEL	PROTECTIVE AS NEEDED



THIRD ANGLE
PROJECTION



TITLE

$\varnothing 25.4\text{mm}$, RG-665 LONGPASS FILTER

ALL DIMS IN

mm

DWG NO

45070

SHEET
1 OF 1