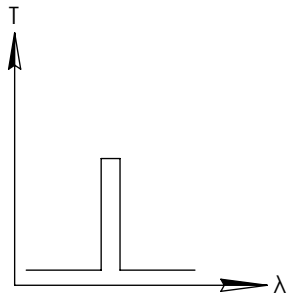
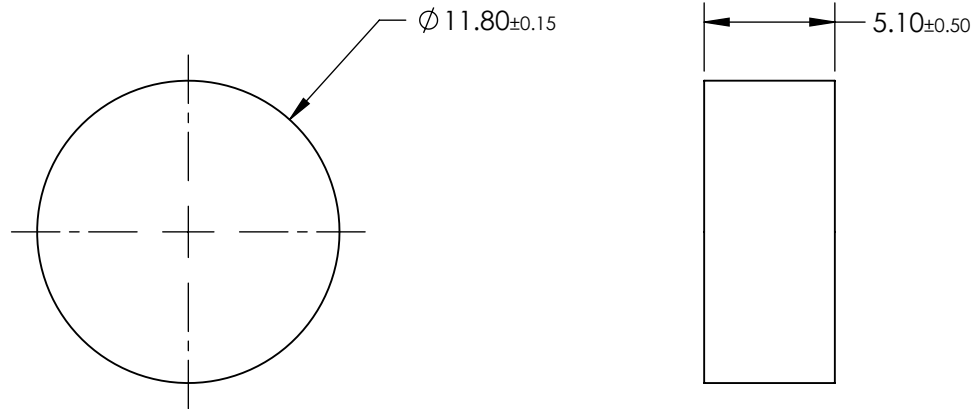
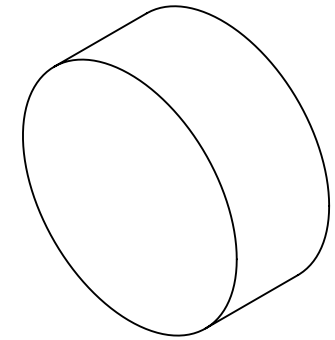


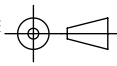
**FOR INFORMATION ONLY:
DO NOT MANUFACTURE
PARTS TO THIS DRAWING**




BANDPASS FILTER

SPECIFICATIONS SUBJECT TO CHANGE WITHOUT NOTICE
DIMENSIONS ARE FOR REFERENCE ONLY

REV. A	VALUE
CENTER WAVELENGTH (CWL)	950
FULL WIDTH HALF MAX (FWHM)	50nm ± 2nm
MINIMUM TRANSMISSION	55%
BLOCKING	200 - 1200
SURFACE QUALITY	80-50
COATING TYPE	TRADITIONAL COATED

THIRD ANGLE PROJECTION 

ALL DIMS IN mm

 **Edmund Optics®**

TITLE: $\varnothing 11.8\text{mm}$, 950nm x 50nm, BANDPASS FILTER

DWG NO: 45671

SHEET 1 OF 1