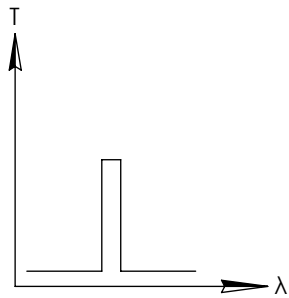
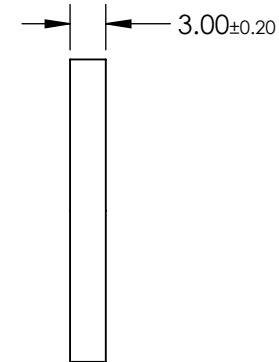
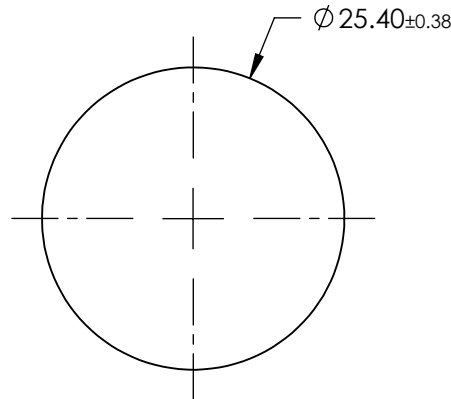
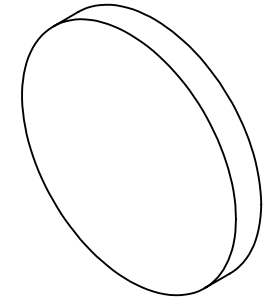


**FOR INFORMATION ONLY:  
DO NOT MANUFACTURE  
PARTS TO THIS DRAWING**



BANDPASS FILTER

SPECIFICATIONS SUBJECT TO CHANGE WITHOUT NOTICE  
DIMENSIONS ARE FOR REFERENCE ONLY

	VALUE
SHAPE	PLANO
CENTER WAVELENGTH	355
FULL WIDTH HALF MAX (FWHM)	53
SURFACE QUALITY	80-50
COATING TYPE	Uncoated
BEVEL	PROTECTIVE AS NEEDED



ALL DIMS IN

mm



TITLE

SCHOTT UG-1 (UV) 25.4mm Dia., Colored Glass  
Bandpass Filter

DWG NO

36308

SHEET  
1 OF 1