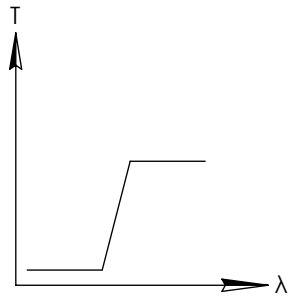
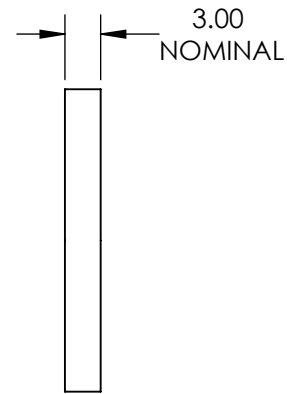
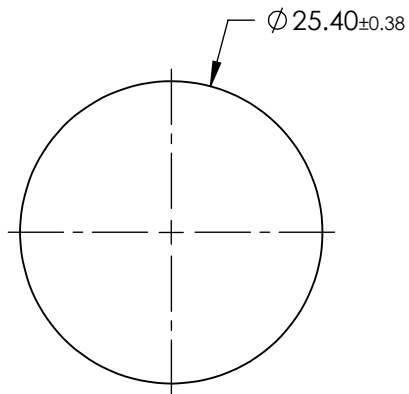
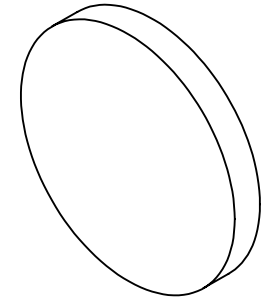


**FOR INFORMATION ONLY:
DO NOT MANUFACTURE
PARTS TO THIS DRAWING**



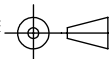
LONGPASS FILTER

SPECIFICATIONS SUBJECT TO CHANGE WITHOUT NOTICE
DIMENSIONS ARE FOR REFERENCE ONLY

REV. 001	S1	S2
SHAPE	PLANO	PLANO
SPECTRAL TRANSMITTANCE $t_p(\%)$	93	93
PASSBAND LIMIT $1 \lambda_{p1}$ (nm)	600	600
CUT-OFF POSITION λ_c (nm)	530 ± 6	530 ± 6
STOPBAND LIMIT λ_s (nm)	460	460
WAVELENGTH	VIS	VIS
BEVEL	PROTECTIVE AS NEEDED	PROTECTIVE AS NEEDED



THIRD ANGLE
PROJECTION



TITLE

$\varnothing 25.4\text{mm}$, SCHOTT OG-530 LONGPASS FILTER

ALL DIMS IN

mm

DWG NO

46059

SHEET
1 OF 1