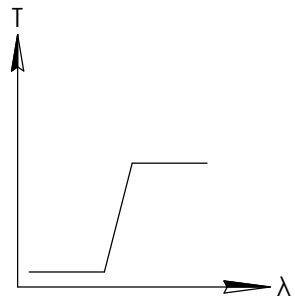
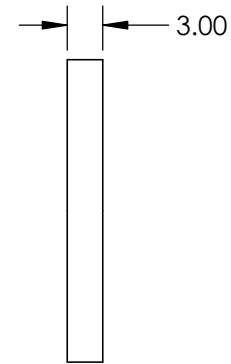
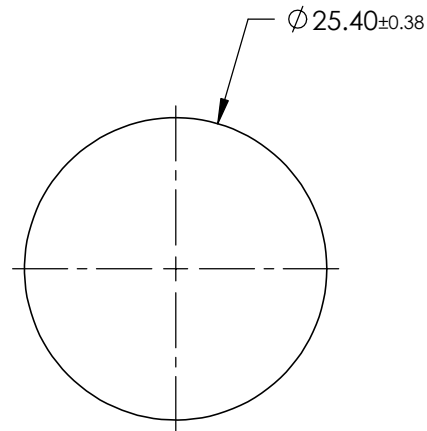
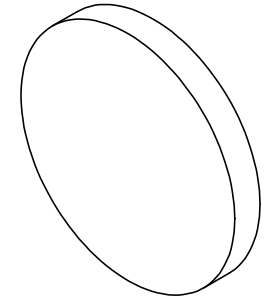


**FOR INFORMATION ONLY:  
DO NOT MANUFACTURE  
PARTS TO THIS DRAWING**



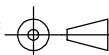
LONGPASS FILTER

SPECIFICATIONS SUBJECT TO CHANGE WITHOUT NOTICE  
DIMENSIONS ARE FOR REFERENCE ONLY

REV. A	VALUE
SHAPE	PLANO
SPECTRAL TRANSMITTANCE $\pm$ ig (%)	96
PASSBAND LIMIT $\lambda_{p1}$ (nm)	810
CUT-OFF POSITION $\lambda_c$ (nm)	715±9
STOPBAND LIMIT $\lambda_s$ (nm)	620
WAVELENGTH	IR
BEVEL	PROTECTIVE AS NEEDED



THIRD ANGLE  
PROJECTION



TITLE

Ø25.4mm, RG-715 LONGPASS FILTER

ALL DIMS IN

mm

DWG NO

46065

SHEET  
1 OF 1