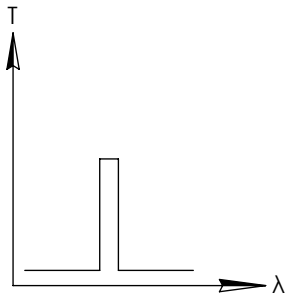
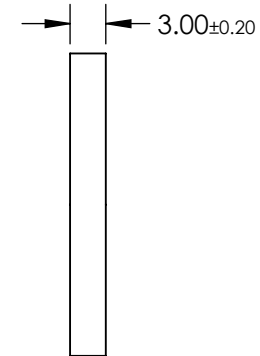
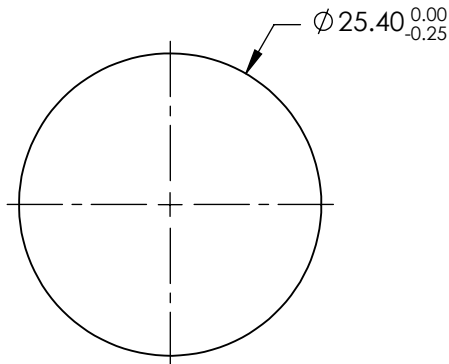
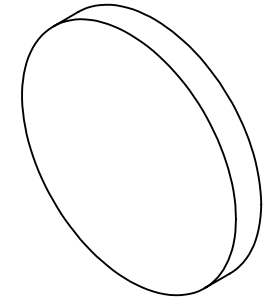


**FOR INFORMATION ONLY:
DO NOT MANUFACTURE
PARTS TO THIS DRAWING**



BANDPASS FILTER

SPECIFICATIONS SUBJECT TO CHANGE WITHOUT NOTICE
DIMENSIONS ARE FOR REFERENCE ONLY

	S1
SHAPE	PLANO
SURFACE QUALITY	80-50
CENTER WAVELENGTH (nm)	470
FULL WIDTH HALF MAX (FWHM) (nm)	271
COATING TYPE	NONE
BEVEL	PROTECTIVE AS NEEDED



ALL DIMS IN

mm



Edmund Optics®

TITLE

$\varnothing 25.4\text{mm}$, BG-38 (VIS) COLORED GLASS BANDPASS FILTER

DWG NO

46433

SHEET
1 OF 1